

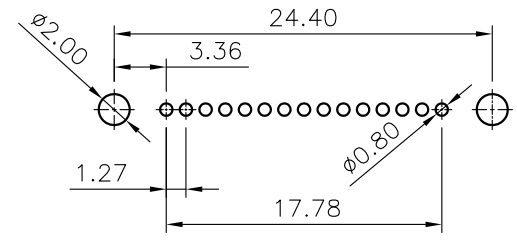
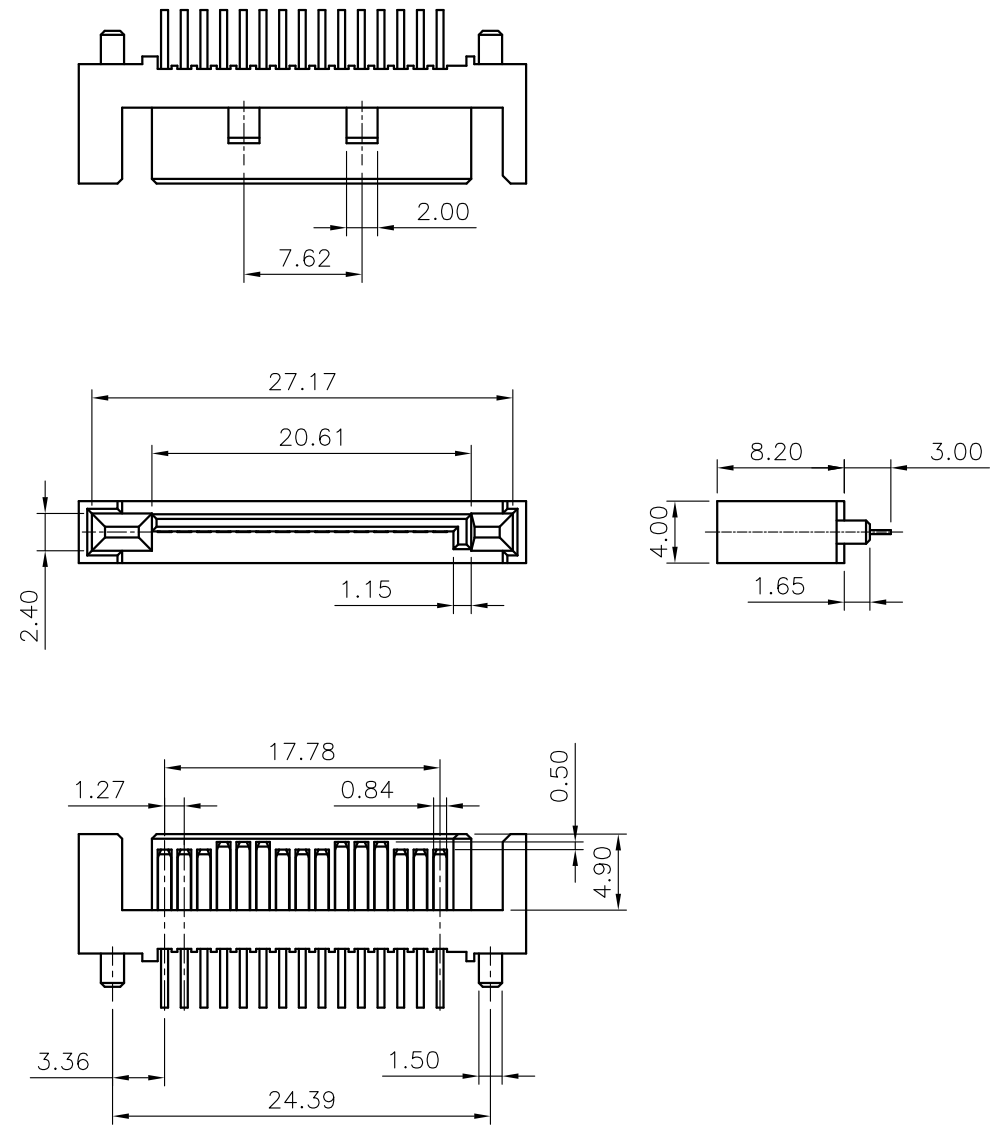
REV.	ECN.NO.	APPD.
A	/	/

NOTE:

- MATERIAL:
HOUSING: LCP WITH 30% GF, UL 94V-0, BLACK COLOR.
CONTACTS: BRASS T=0.25mm.
- FINISH:
CONTACTS: GOLD FLASH PLATED ON CONTACT AREA, [100μ"] MIN..
BRIGHT-TIN ON SOLDER TAIL, WITH ENTIRE CONTACT UNDERPLATED [50μ"] MIN.. NICKEL.
- PART NUMBER DESCRIPTION :

ST21-1100-G618

G: 镀半金G/Fu"
1: 黑色
6: LCP



PCB LAYOUT
RECOMMENDED PCB TOLERANCE: ±0.05

TOLERANCE UNLESS OTHERWISE SPECIFIED		FLW 深圳市华联威电子科技有限公司			
.XXX ±0.10	.X' ±3'	HUA LIAN WEI TECHNOLOGY ELECTRONICS CO;LTD.			
.XX ±0.20	.XX' ±2'				
.X ±0.30					
APPROVED		PART NAME:	SATA 7+15P 公座单排180度双柱		
CHECKED		PART No:	ST21-1100-G618	C	
DRAWN	weihong	PROJECTION:	UNIT:	SCALE	SHEET
DATE	2021.9.23		mm	1:1	10F1
					REV. A