

9

8

7

6

5

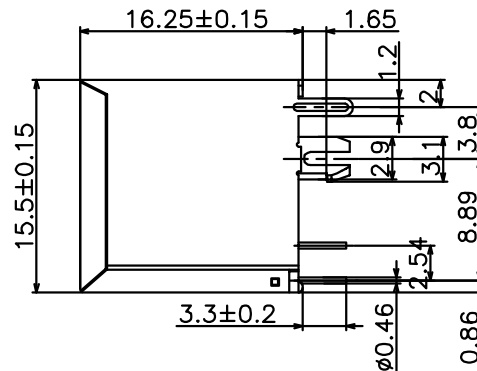
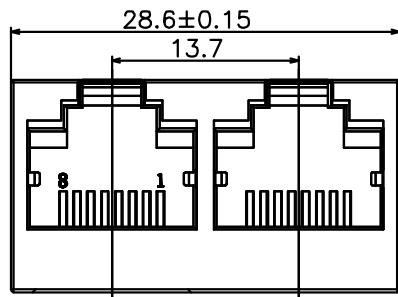
4

3

2

1

REV.	ECN.NO.	APPD.
A	XXXXXXXXXX	chenyiting



## NOTES:

## 1.MATERIAL:

- 1.1 Housing:thermoplastic plastics
- 1.2 terminals:Copper Alloy  
Gold plated in contact area:  
OR Gold Plated overall
- 1.3 Shell:Steel&Copper Alloy  
Nickel/Tin Plated overall

## 2.ELECTRICAL CHARACTERISTICS:

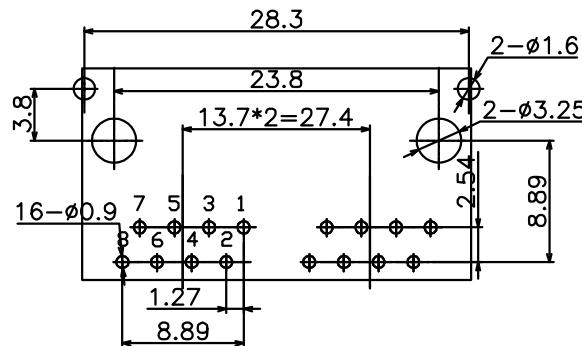
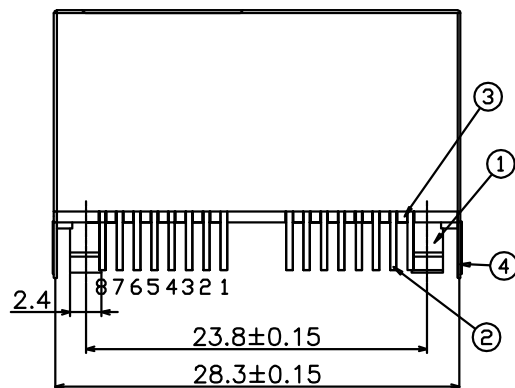
- 2.1 Rating Current :1.5 Ampere
- 2.2 Rating Voltage :125 V Max
- 2.3 Contact Resistance:50 Milli ohms
- 2.4 Insulation Resistance:500 Mega ohms Min.

## 3.MECHANICAL CHARACTERISTICS:

- 3.1 Connector Mating force: 2.27kgf MAX
- 3.2 Durability:750Cycles.

## 4.ENVIRONMENT CHARACTERISTICS:

- 4.1 Operating temperature:-40℃ to +85℃
- 4.2 Storage temperature:-10℃ to +40℃



PCB LAYOUT(TOP VIEW)  
RECOMMENDED

R550-12100-G31018

G: 半金G/Fu' 1:吸塑盒

3: PA46 1:黑色

TOLERANCE UNLESS OTHERWISE SPECIFIED		<b>FLW</b> 深圳市华联威电子科技有限公司				
.XXX ±0.10 .XX ±0.20 .X ±0.30		.X* ±3* .XX* ±2*		HUA LIAN WEI TECHNOLOGY ELECTRONICS CO;LTD.		
APPROVED		PART NAME:	RJ45 180度 立式1x2 无灯无弹			
CHECKED		PART No:	R550-12100-G31018			C
DRAWN	chenyiting	PROJECTION:	UNIT:	SCALE	SHEET	REV.
DATE	2023.03.13		mm	1:1	10F1	A

9

8

7

6

5

4

3

2

1