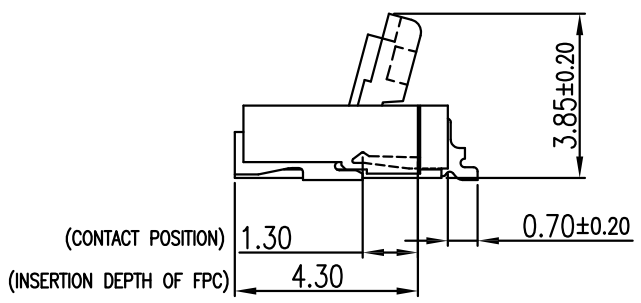
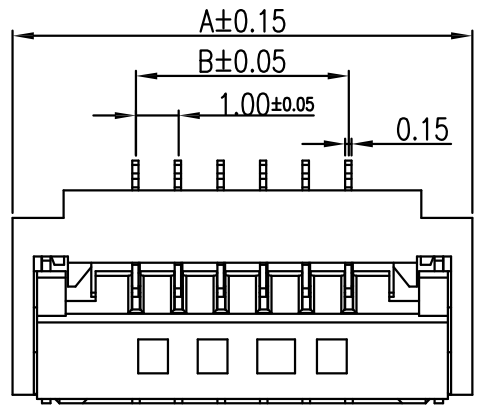
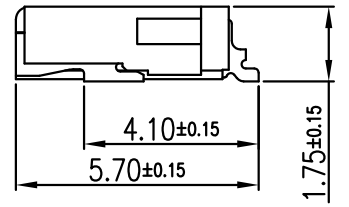
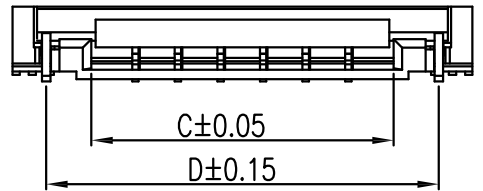


1.0 PITCH 1.75H FPC CONN.

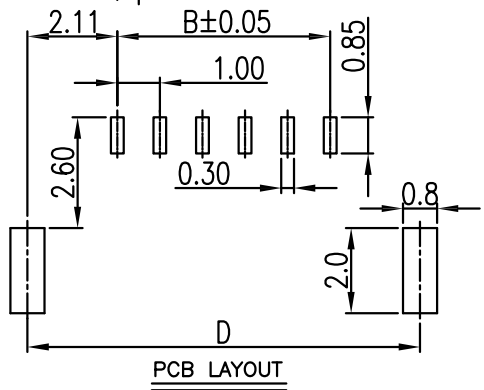
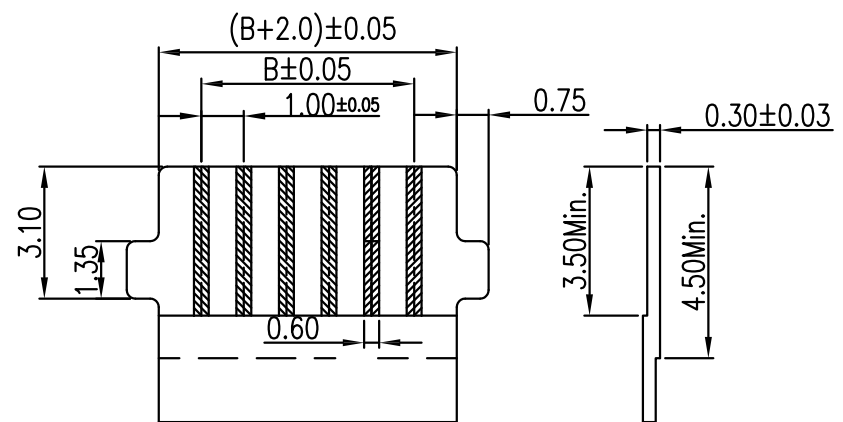
REV.	ECN.NO.	APPD.
A	XXXXXXXXXX	yangguifeng



- Specifications:
1. Rated Voltage : 125V AC/DC
 2. Rated Current : 1A AC,DC
 3. Withstand Voltage : 200V AC/minute
 4. Contact Resistance : 50mΩ(MAX.)
 5. Insulation Resistance : 100MΩ(MIN.)
 6. Storage Temperature Range: -40°C~+85°C;
 7. Operation Temperature Range: -25°C~+70°C;



216104-1094-G61018
 G: 半金G/Fu
 6: LCP
 1: 吸塑盒
 1: 黑色



No. of Contacts	DIM.			
	A	B	C	D
04	08.80	3.00	5.10	7.22
06	10.80	5.00	7.10	9.22
08	12.80	7.00	9.10	11.22
10	14.80	9.00	11.10	13.22
12	16.80	11.00	13.10	15.22
13	17.80	12.00	14.10	16.22
14	18.80	13.00	15.10	17.22
15	19.80	14.00	16.10	18.22
16	20.80	15.00	17.10	19.22
20	24.80	19.00	21.10	23.22
24	28.80	23.00	25.10	27.22
26	30.80	25.00	27.10	29.22
28	32.80	27.00	29.10	31.22
30	34.80	29.00	31.10	33.22
32	36.80	31.00	33.10	35.22

TOLERANCE UNLESS OTHERWISE SPECIFIED		FLW 深圳市华联威电子科技有限公司 HUA LIAN WEI TECHNOLOGY ELECTRONICS CO.;LTD.			
.XXX ±0.10	.XX ±0.20	.X ±0.30	.X' ±3'	.XX' ±2'	
APPROVED		PART NAME:	FPC 1.75间距 1.0 24P		
CHECKED		PART No:	216104-1094-G61018	C	
DRAWN	yangguifeng	PROJECTION:	UNIT:	SCALE:	SHEET:
DATE	2021.12.01		mm	1:1	1 OF 1
					REV. A