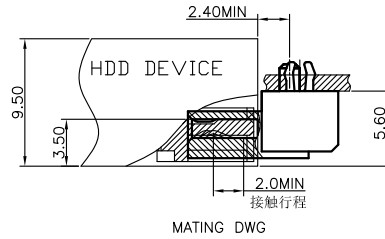
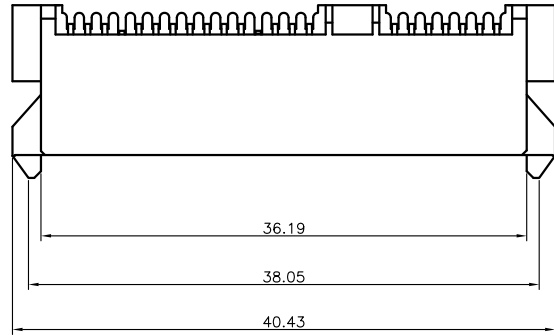
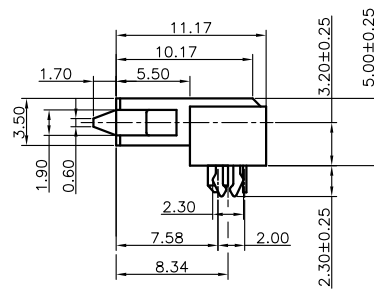
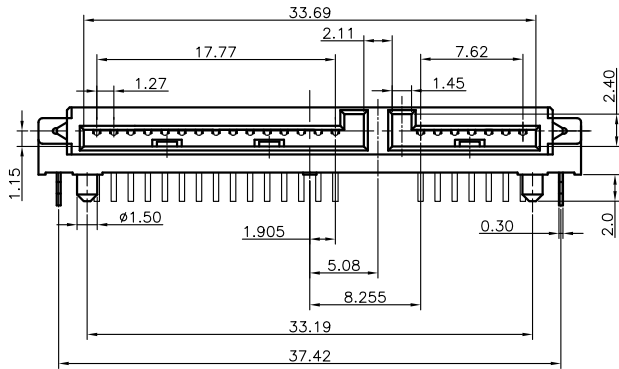


REV.	ECN.NO.	APPD.
A	/	/



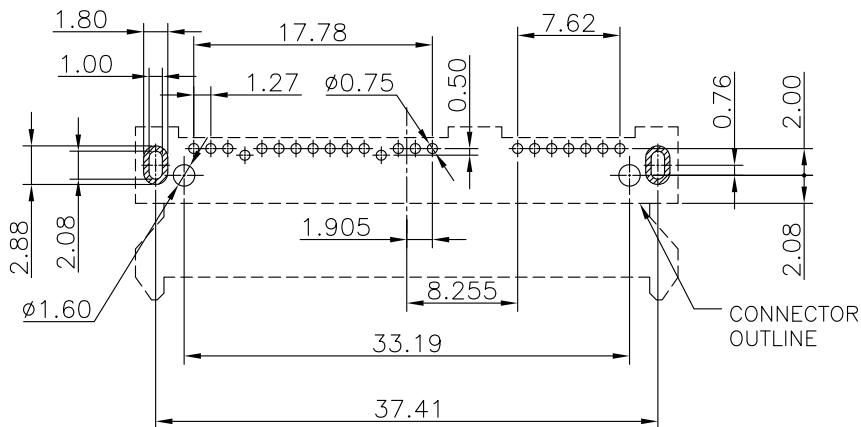
NOTE:

- MATERIAL:
HOUSING: LCP WITH 30% GF, UL 94V-0, BLACK COLOR.
CONTACTS: PHOSPHOR BRONZE.
BOARDLOCKS: BRASS.
- FINISH:
CONTACTS: GOLD FLASH PLATED ON CONTACT AREA, [100μ"] MIN., BRIGHT-TIN ON SOLDER TAIL, WITH ENTIRE CONTACT UNDERPLATED [50μ"] MIN., NICKEL.
BOARDLOCKS: [100μ"] MIN. BRIGHT-TIN OVER[50μ"] MIN. NICKEL ON ENTIRE BOARDLOCK.
- PART NUMBER DESCRIPTION :



ST22-0840-G618

G: 镀半金G/Fu" 1: 黑色
6: LCP



TOLERANCE: ±0.05,
RECOMMENDED PCB LAYOUT
(TOP VIEW)

TOLERANCE UNLESS OTHERWISE SPECIFIED		FLW 深圳市华联威电子科技有限公司				
.XXX ±0.10 .XX ±0.20 .X ±0.30		HUA LIAN WEI TECHNOLOGY ELECTRONICS CO;LTD.				
.X* ±3" .XX* ±2"		PART NAME:		SATA 7+15P 90度 H=5.0mm板上有凸, 下两针, 鱼叉脚		
APPROVED		PART No:		ST22-0840-G618		C
CHECKED		PROJECTION:		UNIT:	SCALE	SHEET
DRAWN	weihong	DATE		mm	1:1	10F1
DATE	2021.9.23	REV.		A		