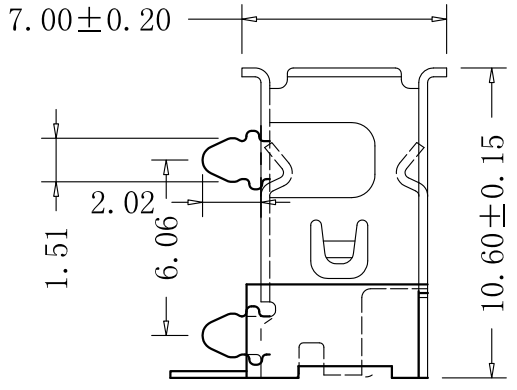
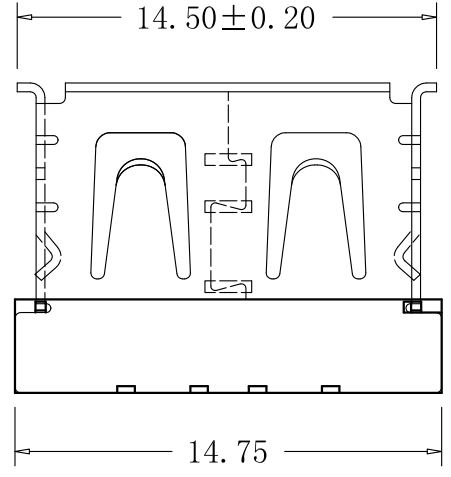
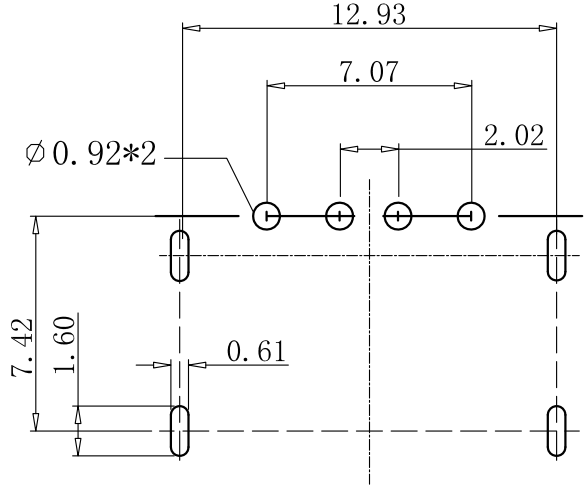
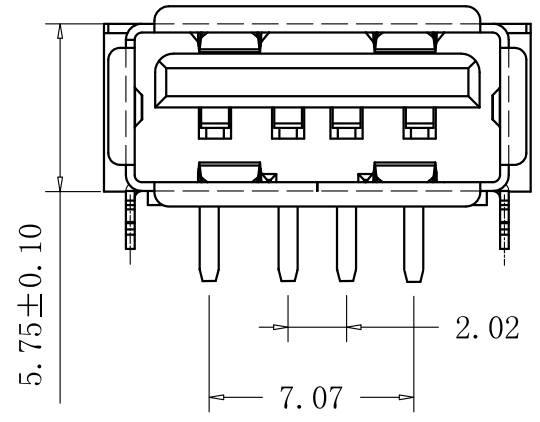


REV.	ECN.NO.	APPD.
A	EXXXXXXXXXX	chenyiting



- NOTES:
- MATERIAL:
    - Housing: thermoplastic plastics
    - terminals: Copper Alloy  
Gold plated in contact area  
Tin plated in termination  
Nickel Plated overall
    - Shell: Steel & Copper Alloy  
Nickel Plated overall
  - ELECTRICAL CHARACTERISTICS:
    - Rating Current : 1.5 Ampere
    - Rating Voltage : 30 V Max
    - Contact Resistance: 30 Milli ohms
    - Insulation Resistance: 1000 Mega ohms Min.
  - MECHANICAL CHARACTERISTICS:
    - Connector Mating force: 35N MAX(3.57Kgf)
    - Connector Unmating force: 10N min(1.02Kgf)
    - Durability: 1500 Cycles.
  - ENVIRONMENT CHARACTERISTICS:
    - Operating temperature: -0°C to +50°C
    - Storage temperature: -20°C to +60°C



U221-K501-G61018

1: 铁壳镀镍  
G: 半金G/Fu  
6: LCP

1: 吸塑盒  
1: 黑色

由 Autodesk 教育版产品制作

由 Autodesk 教育版产品制作

TOLERANCE UNLESS OTHERWISE SPECIFIED		HUA LIAN WEI TECHNOLOGY ELECTRONICS CO.;LTD.			
.XXX ±0.10	.XX ±0.20	.X ±0.30	HUA LIAN WEI TECHNOLOGY ELECTRONICS CO.;LTD.		
.X' ±3'	.XX' ±2'				
APPROVED		PART NAME:	AF 90度 短体10.6 圆脚插		
CHECKED		PART No:	U221-K501-G61018	C	
DRAWN	chenyiting	PROJECTION:	UNIT:	SCALE:	SHEET
DATE	2023.06.02		mm	1:1	1 OF 1
					REV. A