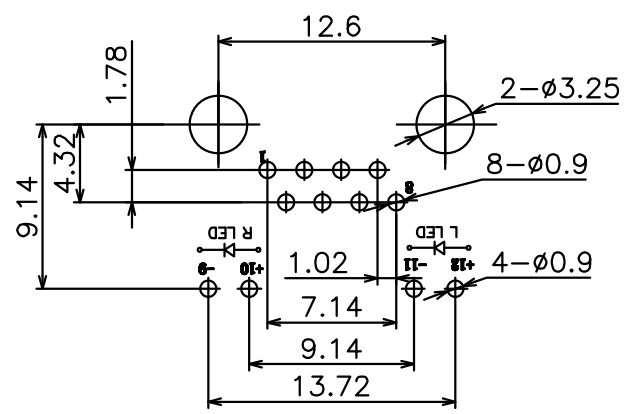
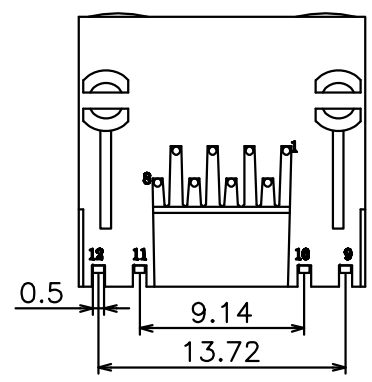
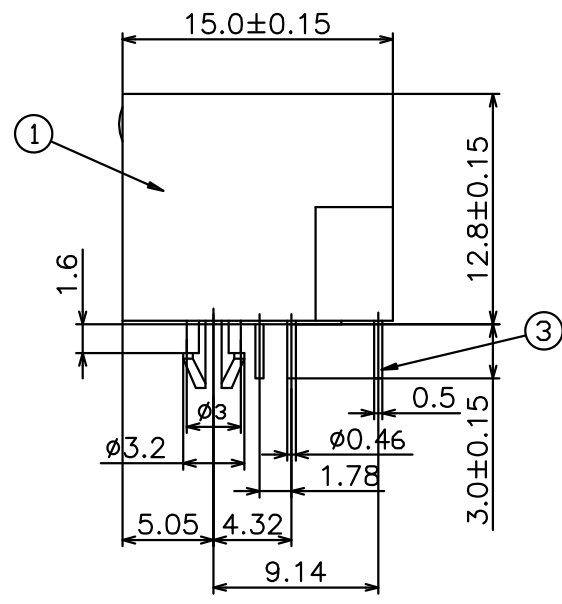
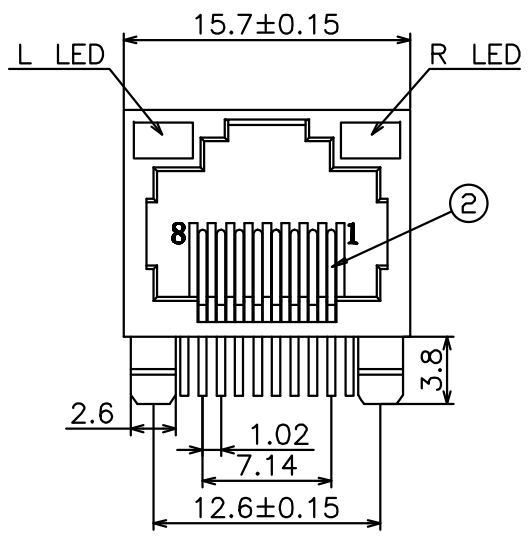


REV.	ECN.NO.	APPD.



PCB LAYOUT
RECOMMENDED

- NOTES:
- MATERIAL:
 - Housing: thermoplastic plastics
 - terminals: Copper Alloy
Gold plated in contact area:
OR Gold Plated overall
 - Shell: Steel & Copper Alloy
Nickel/Tin Plated overall
 - ELECTRICAL CHARACTERISTICS:
 - Rating Current : 1.5 Ampere
 - Rating Voltage : 125 V Max
 - Contact Resistance: 50 Milli ohms
 - Insulation Resistance: 500 Mega ohms Min.
 - MECHANICAL CHARACTERISTICS:
 - Connector Mating force: 2.27kgf MAX
 - Durability: 750 Cycles.
 - ENVIRONMENT CHARACTERISTICS:
 - Operating temperature: -40°C to $+85^{\circ}\text{C}$
 - Storage temperature: -10°C to $+40^{\circ}\text{C}$

R5F0-1180F-G31018

G: 半金G/F
3: PA46
1: 吸塑盒
1: 黑色

TOLERANCE UNLESS OTHERWISE SPECIFIED		FLW 深圳市华联威电子科技有限公司			
.XXX ± 0.30	.XX ± 0.20	.X ± 0.10	HUA LIAN WEI TECHNOLOGY ELECTRONICS CO;LTD.		
APPROVED		PART NAME:	RJ45 15MM无灯全塑带灯		
CHECKED		PART No:	R5F0-1180F-G31018	C	
DRAWN	Shen	PROJECTION:	UNIT:	SCALE:	SHEET
DATE	2021.09.01		mm	1:1	10F1
				REV.	C