

REV.	ECN.NO.	APPD.
A	XXXXXXXXXX	chenyiting

NOTES:

1.MATERIAL:

- 1.1 Housing:thermoplastic plastics
- 1.2 terminals:Copper Alloy  
Gold plated in contact area:  
OR Gold Plated overall
- 1.3 Shell:Steel&Copper Alloy  
Nickel/Tin Plated overall

2.ELECTRICAL CHARACTERISTICS:

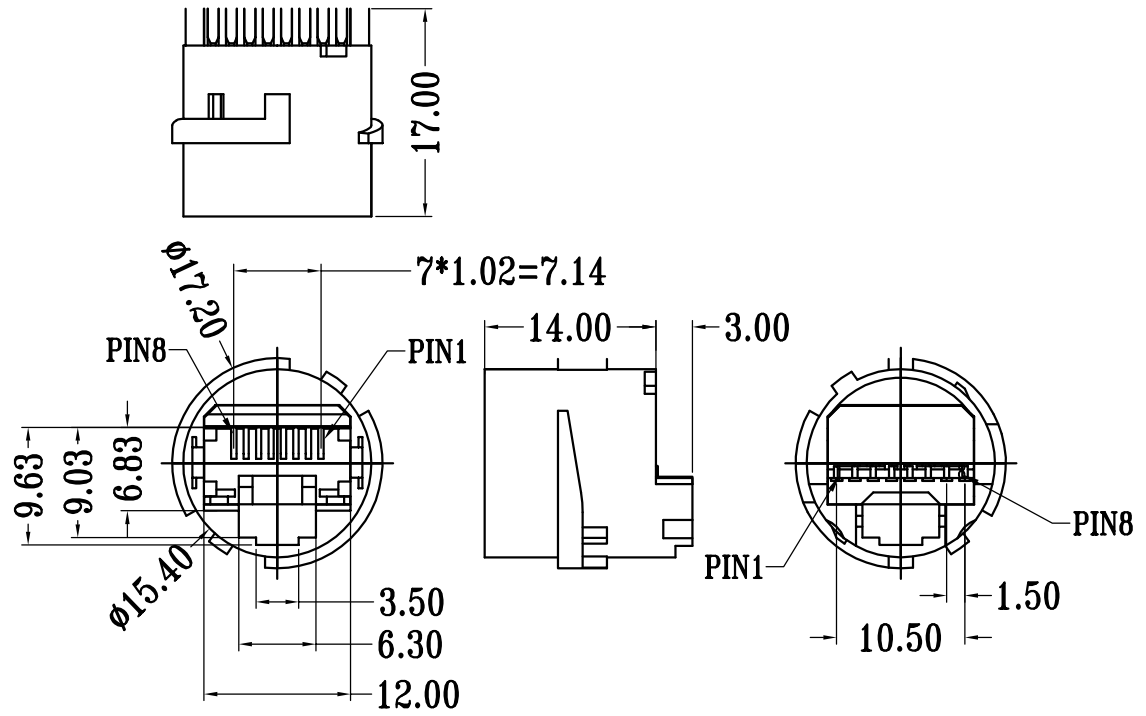
- 2.1 Rating Current :1.5 Ampere
- 2.2 Rating Voltage :125 V Max
- 2.3 Contact Resistance:50 Milli ohms
- 2.4 Insulation Resistance:500 Mega ohms Min.

3.MECHANICAL CHARACTERISTICS:

- 3.1 Connector Mating force: 2.27kgf MAX
- 3.2 Durability:750Cycles.

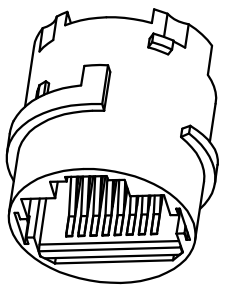
4.ENVIRONMENT CHARACTERISTICS:

- 4.1 Operating temperature:-40℃ to +85℃
- 4.2 Storage temperature:-10℃ to +40℃



R530-11100-G61018

G:半金G/Fu”  
6:LCP  
1:吸塑盒  
1:黑色



TOLERANCE UNLESS OTHERWISE SPECIFIED	
.XXX ±0.10	.X' ±3'
.XX ±0.20	.XX' ±2'
.X ±0.30	

**FLW** 深圳市华联威电子科技有限公司  
HUA LIAN WEI TECHNOLOGY ELECTRONICS CO;LTD.

APPROVED		PART NAME:	RJ45 圆形防水母座 8针 屏蔽			
CHECKED		PART No:	R530-11100-G61018			C
DRAWN	chenyiting	PROJECTION:	UNIT:	SCALE	SHEET	REV.
DATE	2023.05.29		mm	1:1	10F1	A