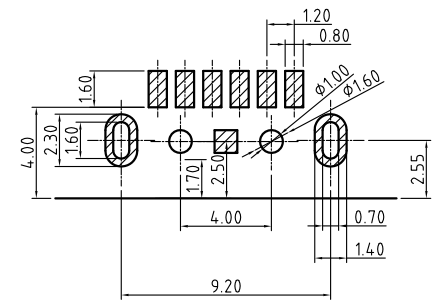
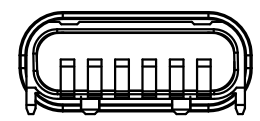
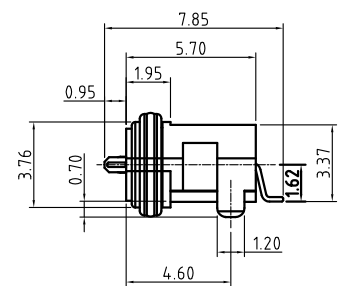
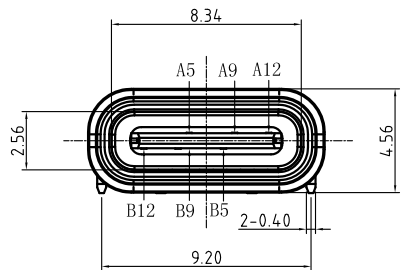
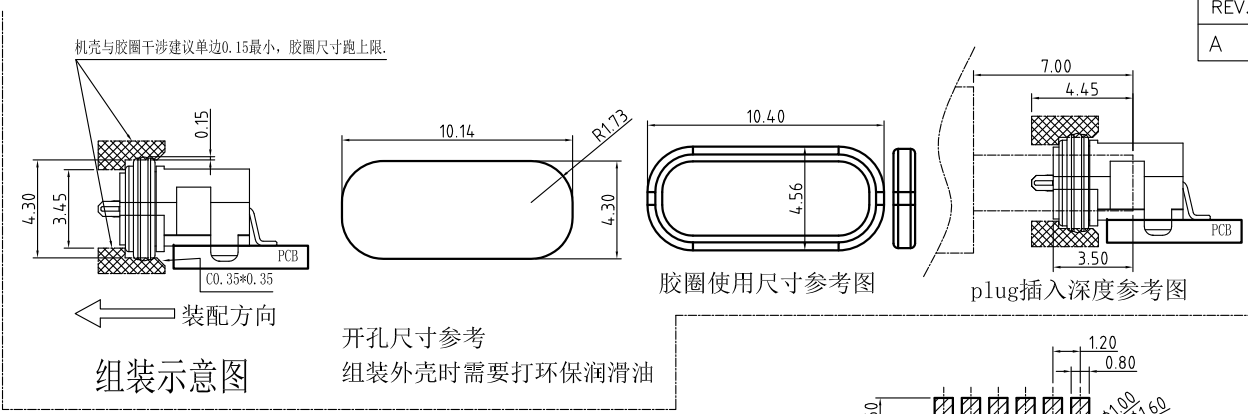
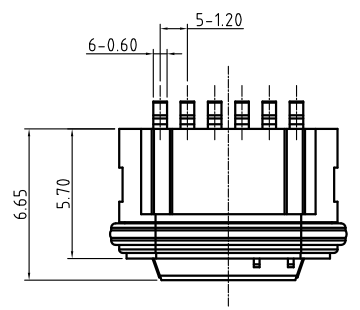


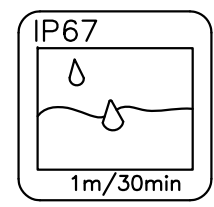
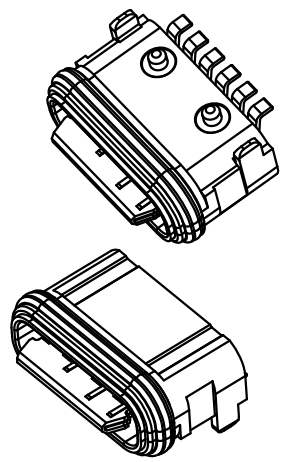
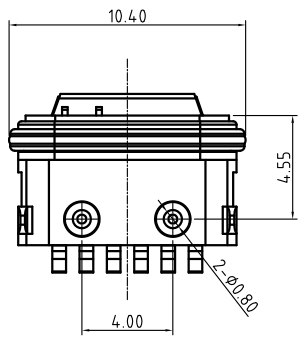
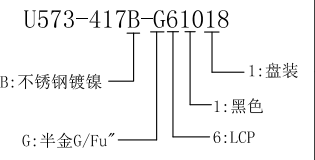
CAD GENERATED DRAWING. DON'T CHANGE BY HAND.

REV.	ECN.NO.	APPD.
A	/	ZFY



RECOMMENDED P. C. B LAYOUT
TOP VIEW (TOLRANCE: ±0.05)

- NOTES:
- MATERIAL:
 - Housing:thermoplastic plastics
 - terminals:Copper Alloy
Gold plated in contact area:
Tin plated in termination
Nickel Plated overall
 - Shell:Steel&Copper Alloy
Nickel/Au Plated overall
 - characteristics:
 - Rating Voltage : 30V AC.
 - Rating Current:
5A for Vbus PIN;1.25A for Vconn PIN
 - Contact Resistance:40 mΩ MAX.
 - Insulation Resistance:100 MΩ MIN.
 - Withstanding Voltage:AC 100V
 - Mating force: 5~20N MAX
 - Extraction force:8~20N Min
 - Life test:10000Cycles MIN.
 - Temperature Range: -30℃~+80℃.
- The product must be compliance ROHS



A5	CC1	B12	GND
A9	VBUS	B9	VBUS
A12	GND	B5	CC2
PIN	SIGNAL NAME	PIN	SIGNAL NAME

3	Shell	1	Ni Plating	
2	Contact	6	Phosphor bronze Au/Ni Plating T=0.20mm	
1	Housing	1	PA10T (G.F30%)	
ITEM	PART NAME	Q' TY	FINISH	NOTE

.XXX ±0.15	.X' ±5°
.XX ±0.20	.XX' ±2°
.X ±0.30	

HLW 深圳市华联威电子科技有限公司
HUA LIAN WEI TECHNOLOGY ELECTRONICS CO;LTD.

APPROVED		PART NAME:	USB TYPE C 6PIN 板上全贴片			
CHECKED		PART No:	U573-417B-G61018		C	
DRAWN	ZhangFenYan	PROJECTION:	UNIT:	SCALE:	SHEET	REV.
DATE	2018.10.10		mm	1:1	10F1	A