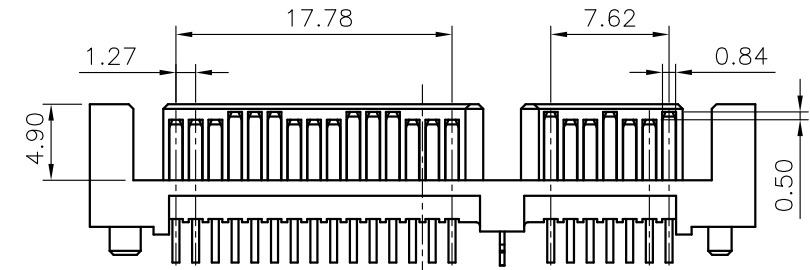
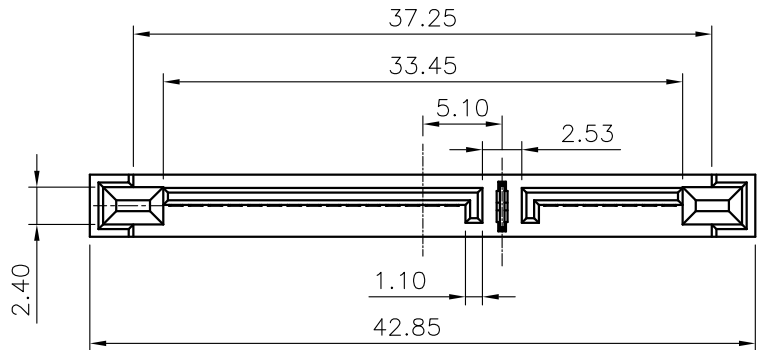
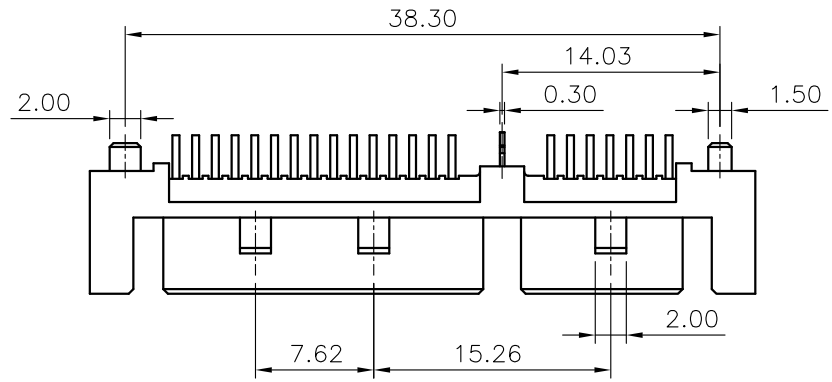


REV.	ECN.NO.	APPD.
A	/	/

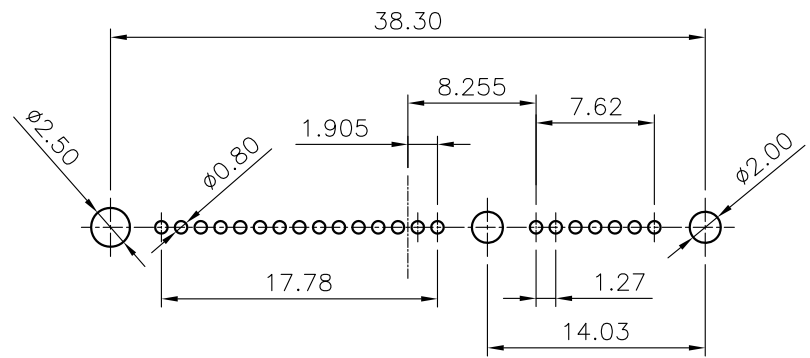
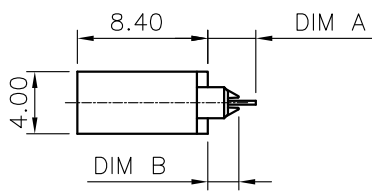


NOTE:

- MATERIAL:  
HOUSING: LCP WITH 30% GF, UL 94V-0, BLACK COLOR.  
CONTACTS: BRASS T=0.25mm.  
BROD LOCK : COPPER ALLOY .
- FINISH:  
CONTACTS: GOLD FALSH PLATED ON CONTACT AREA, [100μ"] MIN..  
BRIGHT-TIN ON SOLDER TAIL, WITH ENTIRE CONTACT UNDERPLATED [50μ"] MIN.. NICKEL.  
BROD LOCK : [100μ"] MIN. TIN OVER [50μ"] MIN. NICKEL ON PLATED.
- PART NUMBER DESCRIPTION :

ST21-0800-G618

G: 镀半金G/Fu"  
1: 黑色  
6: LCP



PCB\_LAYOUT  
RECOMMENDED PCB TOLERANCE: ±0.05

TOLERANCE UNLESS OTHERWISE SPECIFIED	
.XXX ±0.10	.X' ±3'
.XX ±0.20	.XX' ±2'
.X ±0.30	

**FLW** 深圳市华联威电子科技有限公司  
HUA LIAN WEI TECHNOLOGY ELECTRONICS CO;LTD.

APPROVED		PART NAME:	SATA 7+15P 公座单排180度带柱			
CHECKED		PART No:	ST21-0800-G618			C
DRAWN	weihong	PROJECTION:	UNIT:	SCALE	SHEET	REV.
DATE	2021.9.23		mm	1:1	10F1	A