

9

8

7

6

5

4

3

2

1

REV.	ECN.NO.	APPD.
A	/	/

F

F

E

E

D

D

C

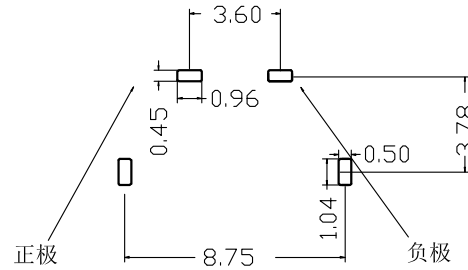
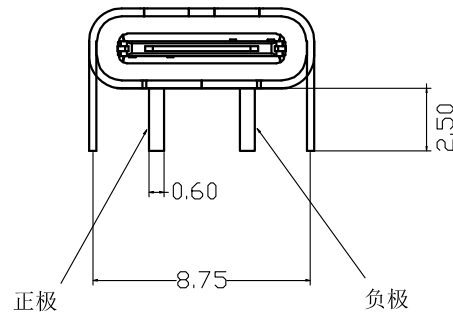
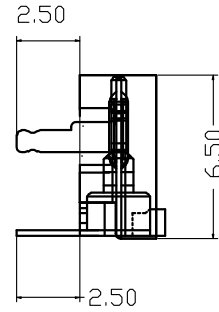
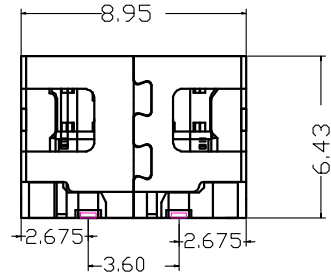
C

B

B

A

A



NOTES:

1.MATERIAL:

1.1 Housing:thermoplastic plastics

1.2 terminals:Copper Alloy

Gold plated in contact area:

Tin plated in termination

Nickel Plated overall

1.3 Shell:Steel&Copper Alloy

Nickel/Au Plated overall

2.characteristics:

2.1 Rating Voltage : 30V AC.

2.2 Rating Current:

5A for Vbus PIN;1.25A for Vconn PIN

2.3 Contact Resistance:40 mΩ MAX.

2.4 Insulation Resistance:100 MΩ MIN.

2.5 Withstanding Voltage:AC 100V

2.6 Mating force: 5~20N MAX

2.7 Extraction force:8~20N Min

2.8 Life test:10000Cycles MIN.

2.9 Temperature Range: -30℃~+80℃.

The product must be compliance ROHS

U573-301B-G61018

1:吸塑盒

1:黑色

B:不锈钢镀镍

G:半金G/Fu"

6:LCP

TOLERANCE UNLESS
OTHERWISE SPECIFIED

.XXX ±0.10	.X' ±3'
.XX ±0.20	.XX' ±2'
.X ±0.30	

HLW 深圳市华联威电子科技有限公司

HUA LIAN WEI TECHNOLOGY ELECTRONICS CO;LTD.

APPROVED

PART NAME:

TYPE C 2P 90度两脚加长板

CHECKED

PART No:

U573-301B-G61018

C

DRAWED

chenyiting

PROJECTION:

UNIT:

SCALE

SHEET

REV.

DATE

2022.10.06



mm

1:1

10F1

A

9

8

7

6

5

4

3

2

1