

9

8

7

6

5

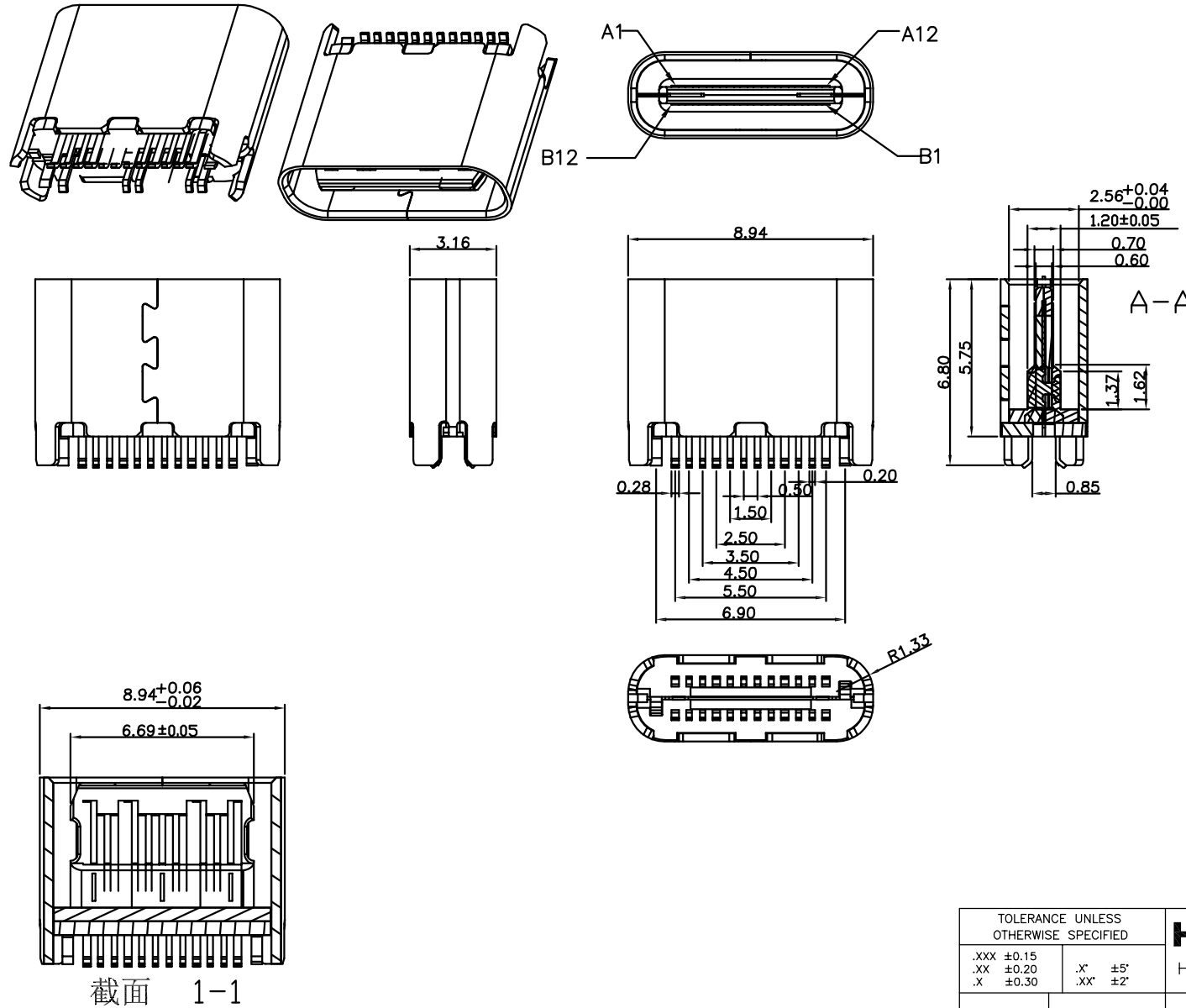
4

3

2

1

REV.	ECN.NO.	APPD.
A	/	ZFY



- NOTES:
- MATERIAL:
    - Housing:thermoplastic plastics
    - terminals:Copper Alloy  
Gold plated in contact area:  
Tin plated in termination  
Nickel Plated overall
    - Shell:Steel&Copper Alloy  
Nickel/Au Plated overall
  - characteristics:
    - Rating Voltage : 30V AC.
    - Rating Current:  
5A for Vbus PIN;1.25A for Vconn PIN
    - Contact Resistance:40 mΩ MAX.
    - Insulation Resistance:100 MΩ MIN.
    - Withstanding Voltage:AC 100V
    - Mating force: 5~20N MAX
    - Extraction force:8~20N Min
    - Life test:10000Cycles MIN.
    - Temperature Range: -30℃~+80℃.
 The product must be compliance ROHS

U573-2185-G61018

5. 铜壳镀镍  
G: 半金/Fu  
1: 盘装  
1: 黑色  
6: LCP

TOLERANCE UNLESS OTHERWISE SPECIFIED	
.XXX ±0.15	.X' ±5'
.XX ±0.20	.XX' ±2'
.X ±0.30	

**FLW** 深圳市华联威电子科技有限公司

HUA LIAN WEI TECHNOLOGY ELECTRONICS CO;LTD.

APPROVED		PART NAME:	TYPE C母座夹板24P短体			
CHECKED		PART No:	U573-2185-G61018	C		
DRAWN	Shen	PROJECTION:	UNIT:	SCALE	SHEET	REV.
DATE	2021.09.01		mm	1:1	10F1	A

截面 1-1

9

8

7

6

5

4

3

2

1