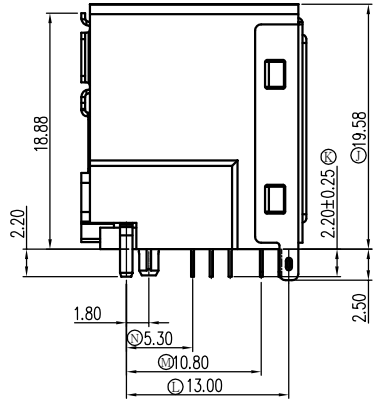
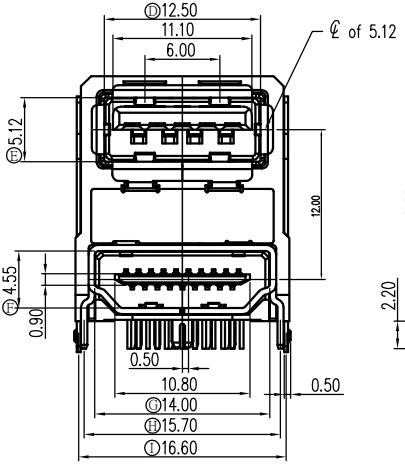
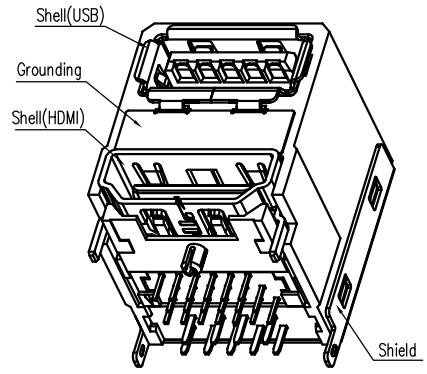
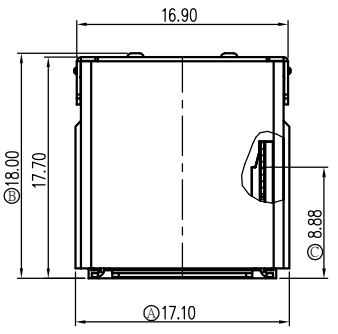


REV.	ECN.NO.	APPD.
A	EXXXXXXXXXX	chenyiting

NOTES:

- 1.MATERIAL:
  - 1.1 Housing: thermoplastic plastics
  - 1.2 terminals: Copper Alloy  
Gold plated in contact area:  
Tin plated in termination  
Nickel Plated overall
  - 1.3 Shell: Steel&Copper Alloy  
Nickel/Au Plated overall
- 2.ELECTRICAL CHARACTERISTICS:
  - 2.1 Rating Current :0.5 Ampere
  - 2.2 Rating Voltage :40 V Max
  - 2.3 Contact Resistance:30 Milli ohms
  - 2.4 Insulation Resistance:100 Mega ohms Min.
- 3.MECHANICAL CHARACTERISTICS:
  - 3.1 Connector Mating force: 4.5kg MAX
  - 3.2 Connector Unmating force:1.0Kg min
  - 3.3 Durability:10000Cycles.
- 4.ENVIRONMENT CHARACTERISTICS:
  - 4.1 Operating temperature:-20℃ to +85℃
  - 4.2 Storage temperature:-20℃ to +65℃

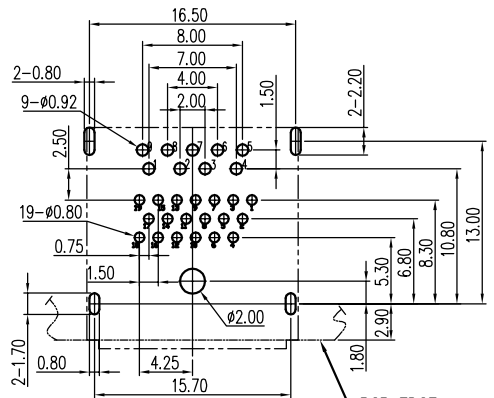
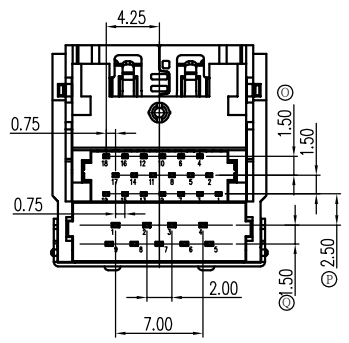


HDMI 腳位配置	Pin define
1	TMD5 Data0-
2	TMD5 Data0 Shield
3	TMD5 Data0+
4	TMD5 Data1-
5	TMD5 Data1 Shield
6	TMD5 Data1+
7	TMD5 Data2-
8	TMD5 Data2 Shield
9	TMD5 Data2+
10	TMD5 Clock-
11	TMD5 Clock Shield
12	TMD5 Clock+
13	CEC
14	Reserved (N.C. on device)
15	SHL
16	SDA
17	DECAEC Ground
18	+5V Power
19	Bit Plug Detect

USB 3.0 腳位配置	Pin define
1	VBUS
2	D-
3	D+
4	GND
5	SSA_SSEX-
6	SSA_SSEX+
7	GND DRAIN
8	SSA_SSTX-
9	SSA_SSTX+

HD21-1711-G61018

- 1: 吸塑盒
- 1: 铁壳镀镍
- G: 半金G/Fu
- 6: LCP+PBT
- 1: 黑色



RECOMMENDED P.C.B. LAYOUT  
THICKNESS=1.6±0.10mm

TOLERANCE UNLESS OTHERWISE SPECIFIED		<b>FLW</b> 深圳市华联威电子科技有限公司 HUA LIAN WEI TECHNOLOGY ELECTRONICS CO;LTD.				
.XXX ±0.10	.XX ±0.20	.X ±0.30	.X* ±3*	.XX* ±2*		
APPROVED		PART NAME:	HDMI 19P+USB3.0 有定位柱			
CHECKED		PART No:	HD21-1711-G61018	C		
DRAWN	chenyiting	PROJECTION:	UNIT:	SCALE	SHEET	REV.
DATE	2023.04.04		mm	1:1	1 OF 1	A