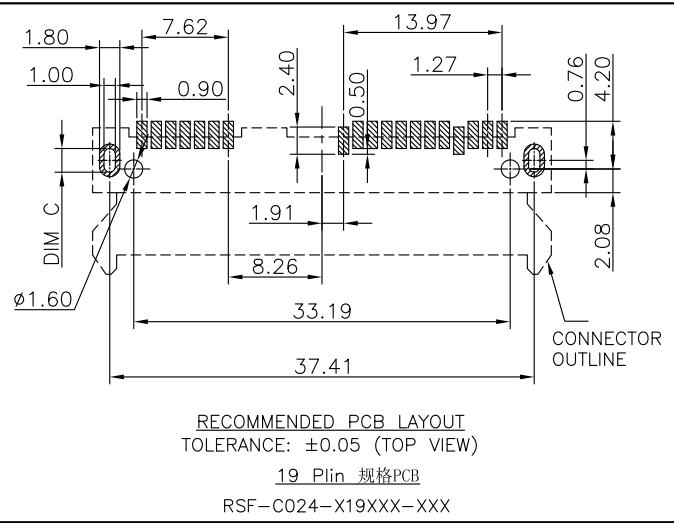
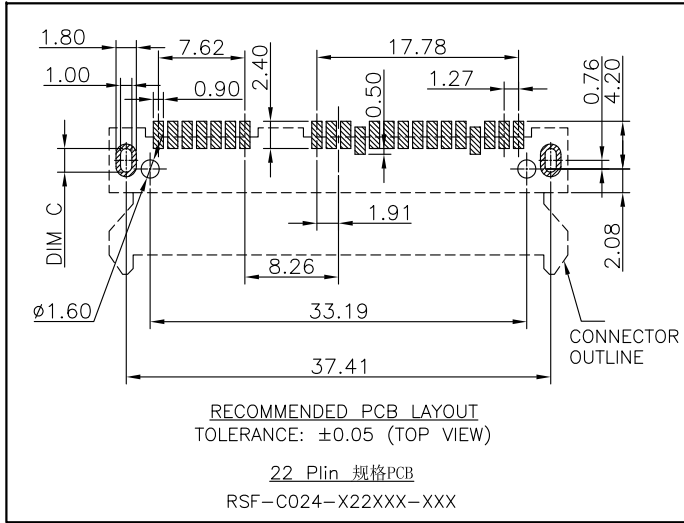


REV.	ECN.NO.	APPD.
A	/	/

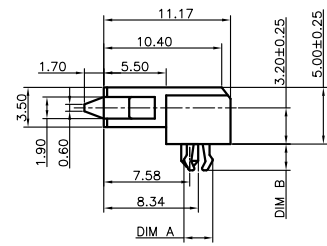
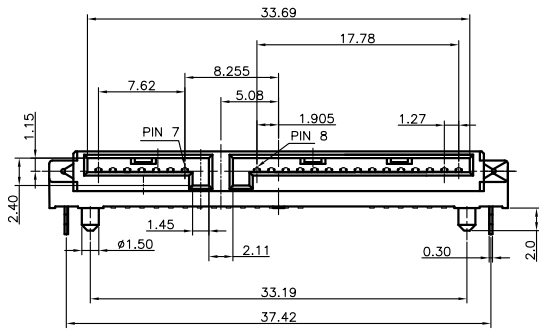
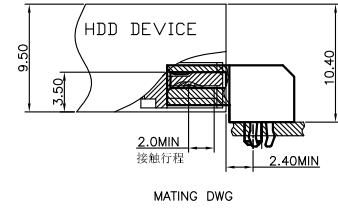
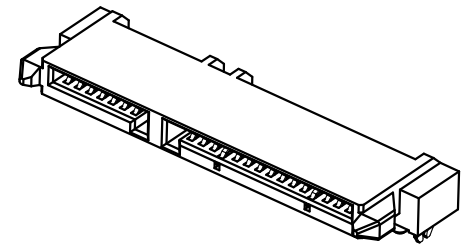
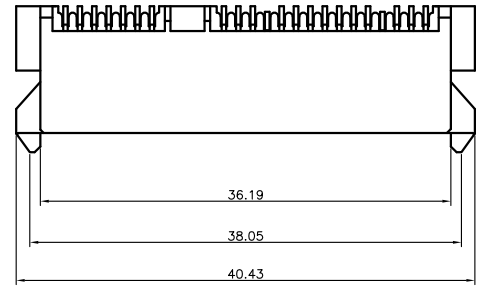


NOTE:

- MATERIAL:  
HOUSING: LCP WITH 30% GF, UL 94V-0, BLACK COLOR.  
CONTACTS: PHOSPHOR BRONZE.  
BOARDLOCKS: BRASS.
- FINISH:  
CONTACTS: GOLD FLASH PLATED ON CONTACT AREA, [100 $\mu$ ] MIN. BRIGHT-TIN ON SOLDER TAIL, WITH ENTIRE CONTACT UNDERPLATED [50 $\mu$ ] MIN. NICKEL.  
BOARDLOCKS: [100 $\mu$ ] MIN. BRIGHT-TIN OVER[50 $\mu$ ] MIN. NICKEL ON ENTIRE BOARDLOCK.
- PART NUMBER DESCRIPTION :

ST22-0740-G618

G: 镀半金G/Fu"      1: 黑色  
6: LCP



TOLERANCE UNLESS OTHERWISE SPECIFIED	
.XXX $\pm 0.10$	.X' $\pm 3'$
.XX $\pm 0.20$	.XX' $\pm 2'$
.X $\pm 0.30$	
APPROVED	
CHECKED	
DRAWN	weihong
DATE	2021.9.23

<b>FLW</b> 深圳市华联威电子科技有限公司 HUA LIAN WEI TECHNOLOGY ELECTRONICS CO;LTD.					
PART NAME:		SATA 7+15P SMT H=5.0mm板下鱼叉脚			
PART No:		ST22-0740-G618			C
DRAWN	weihong	PROJECTION:	UNIT:	SCALE	SHEET
DATE	2021.9.23		mm	1:1	10F1
					REV.
					A