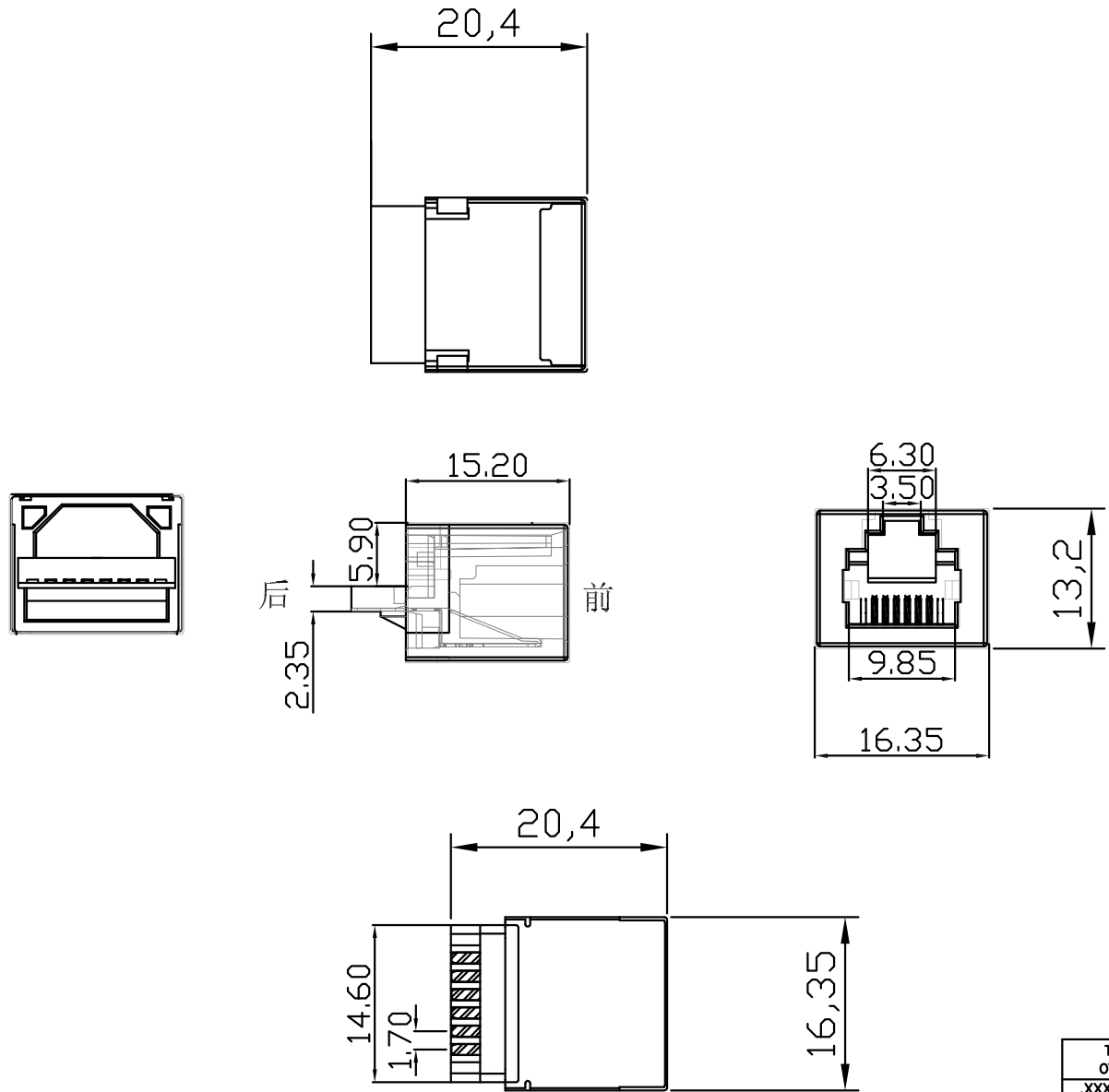


REV.	ECN.NO.	APPD.
A	/	/



- NOTES:
- MATERIAL:
    - Housing:thermoplastic plastics
    - terminals:Copper Alloy  
Gold plated in contact area:  
OR Gold Plated overall
    - Shell:Steel&Copper Alloy  
Nickel/Tin Plated overall
  - ELECTRICAL CHARACTERISTICS:
    - Rating Current :1.5 Ampere
    - Rating Voltage :125 V Max
    - Contact Resistance:50 Milli ohms
    - Insulation Resistance:500 Mega ohms Min.
  - MECHANICAL CHARACTERISTICS:
    - Connector Mating force: 2.27kgf MAX
    - Durability:750Cycles.
  - ENVIRONMENT CHARACTERISTICS:
    - Operating temperature:-40°C to +85°C
    - Storage temperature:-10°C to +40°C

**R5F0-1160X-XXX0X7**

- 5: 铜壳镀镍
- G: 半金G/Fu
- 2: PBT
- 1: 吸塑盒
- 1: 黑色

TOLERANCE UNLESS OTHERWISE SPECIFIED		<b>FLW</b> 深圳市华联威电子科技有限公司					
		HUA LIAN WEI TECHNOLOGY ELECTRONICS CO;LTD.					
.XXX ±0.10	.XX ±0.20	.X ±0.30	.X' ±3'	.XX' ±2'	PART NAME: RJ45 方型母座6P6C		
APPROVED		CHECKED		DRAWN	weihong	DATE	2021.11.06
		PART No: R5F0-11605-G21017		C			
		PROJECTION:	UNIT: mm	SCALE: 1:1	SHEET: 10F1	REV.:	A