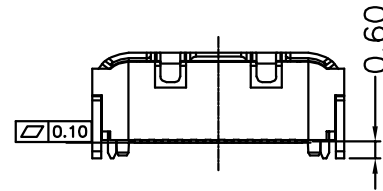
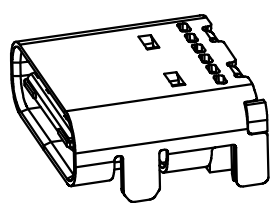
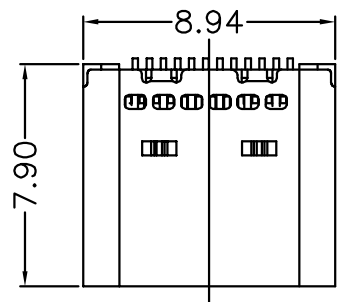
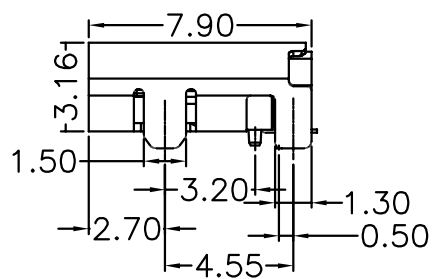
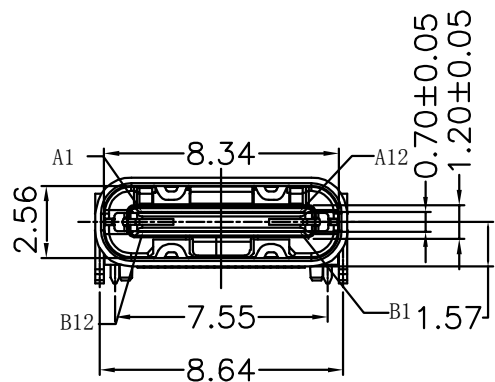


REV.	ECN.NO.	APPD.
AO	/	/

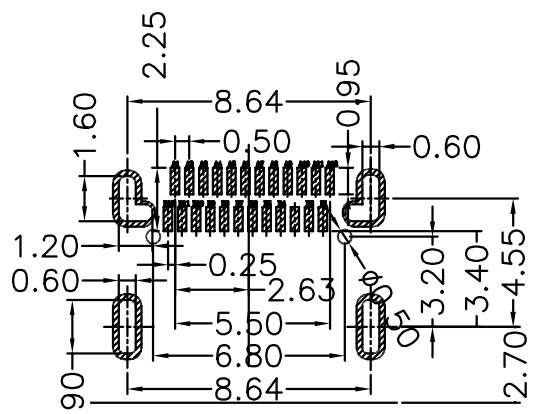
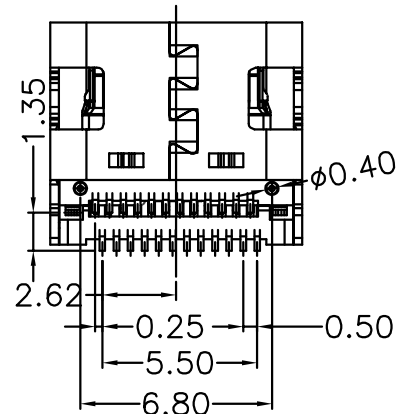


- NOTES:
- MATERIAL:
 - Housing:thermoplastic plastics
 - terminals:Copper Alloy
Gold plated in contact area:
Tin plated in termination
Nickel Plated overall
 - Shell:Steel&Copper Alloy
Nickel/Au Plated overall
 - characteristics:
 - Rating Voltage : 30V AC.
 - Rating Current:
5A for Vbus PIN;1.25A for Vconn PIN
 - Contact Resistance:40 mΩ MAX.
 - Insulation Resistance:100 MΩ MIN.
 - Withstanding Voltage:AC 100V
 - Mating force: 5~20N MAX
 - Extraction force:8~20N Min
 - Life test:10000Cycles MIN.
 - Temperature Range: -30℃~+80℃.
- The product must be compliance ROHS



U572-181B-161038

- 1:半金1u"
- 3. 载带
- 6:LCP
- 1:黑色



REC MMENDED P.C.B. LAYOUT
TOLERANCE UNSPECIFIED ±0.05mm

TOLERANCE UNLESS OTHERWISE SPECIFIED		FLW 深圳市华联威电子科技有限公司			
.XXX ±0.10 .XX ±0.20 .X ±0.30		.X' ±3' .XX' ±2'		HUA LIAN WEI TECHNOLOGY ELECTRONICS CO;LTD.	
APPROVED		PART NAME:	TYPE C 24PIN 双排端子SMT, 外壳直脚有定位柱L=7.9mm		
CHECKED		PART No:	U572-181B-161038	C	
DRAWED	weihong	PROJECTION:	UNIT:	SCALE	SHEET
DATE	2021.10.03		mm	1:1	10F1
					REV. AO