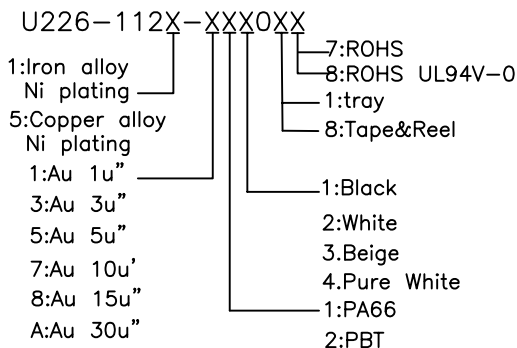


RECOMMEND PCB LAYOUT



REV.	ECN.NO.	APPD.
A	/	pcy
A1	增加针长尺寸	QYH

规格说明:Specifications:

电气特性:Electrical:

- 额定电流: Current Rating  
1.5A/contact terminal
- 额定电压: Voltage Rating  
30V DC
- 接触阻抗: Contact Resistance  
30 milliohms MAX
- 耐电压: Dielectric Withstanding Voltage:  
500 V AC AT Sea Level
- 绝缘阻抗: Insulation Resistance:  
1000MEGA ohms MIN

物理性能:Mechanical:

- 插拔力: Connector Mate and Unmate Force  
Mate force:3.57kgf(MAX)  
Unmate force:1.02kgf(MIN)
- 端子保持力: Terminal Retention  
1.0kgf(MIN)

原材料:Material:

Hing Temperature Ternmaplastics,

- 端子: Contact: Copper Alloy C2680
- 外壳: Shell: Copper Alloy C2680/SPCC

电镀:Finish:

- 端子: Contact: Plated Gold in Mating Area;  
Tin On Solder Talls

端子四周镀50U"(MIN)锡,镀金区域镀100-200U"镀金1U"

- 外壳: Shell:  
铜壳四周镀80U"(MIN)锡

Nickel Plating

TOLERANCE UNLESS OTHERWISE SPECIFIED		FLW 深圳市华联威电子科技有限公司				
.XXX ±0.10	.X' ±3'	HUA LIAN WEI TECHNOLOGY ELECTRONICS CO;LTD.				
.XX ±0.20	.XX' ±2'					
.X ±0.30						
APPROVED		PART NAME:	USB AF 侧插短体反向弯脚无卷边			
CHECKED		PART No:	U226-112X-XXX0XX			C
DRAWN	qinyuhua	PROJECTION:	UNIT:	SCALE	SHEET	REV.
DATE	2021.11.11		mm	1:1	10F1	A1