

REV.	ECN.NO.	APPD.
AO	/	/

NOTES:

1.MATERIAL:

- 1.1 Housing: thermoplastic plastics,
- 1.2 terminals:Copper Alloy  
Gold plated in contact area:  
Tin 40u"min plated in termination  
Nickel Plated overall
- 1.3 Shell:Steel&Copper Alloy  
Nickel/Tin Plated overall

2.ELECTRICAL CHARACTERISTICS:

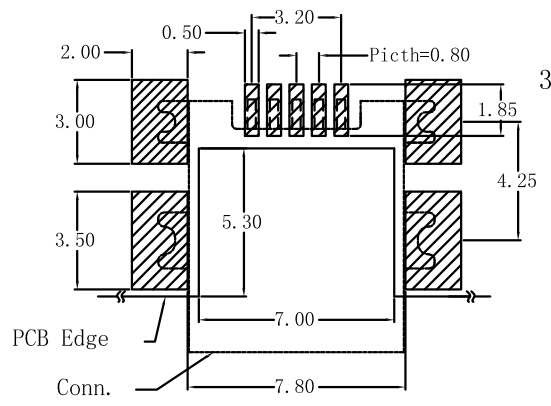
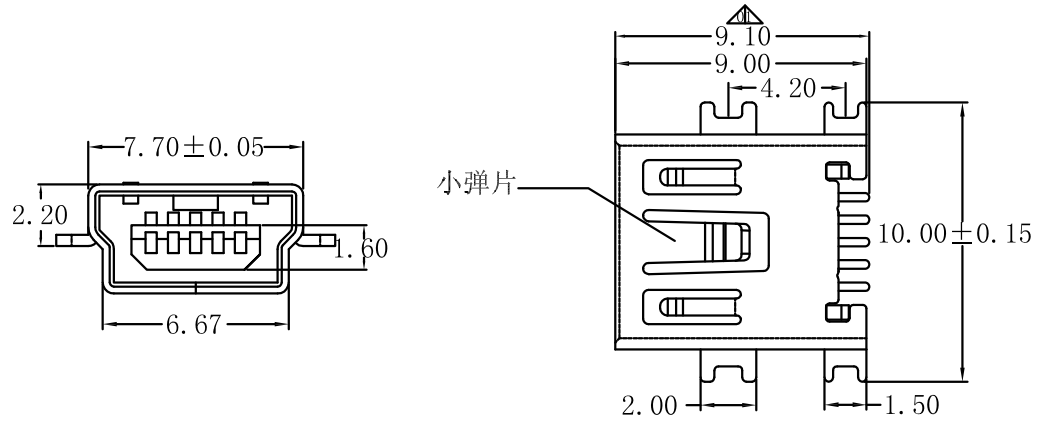
- 2.1 Rating Current :1.5 Ampere
- 2.2 Rating Voltage :30 V Max
- 2.3 Contact Resistance:50 Milli ohms
- 2.4 Insulation Resistance:100 Mega ohms Min.

3.MECHANICAL CHARACTERISTICS:

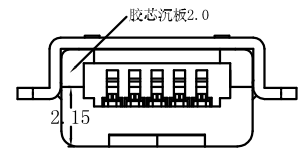
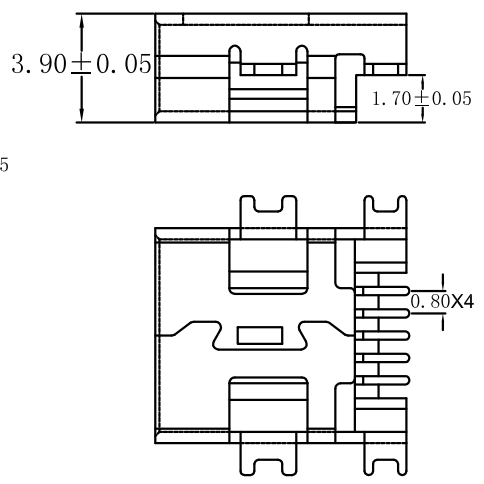
- 3.1 Connector Mating force: 35N MAX
- 3.2 Connector Unmating force:7N min

4.ENVIRONMENT CHARACTERISTICS:

- 4.1 Operating temperature:-0°C to +50°C
- 4.2 Storage temperature:-20°C to +60°C



P. C. B LAYOUT



- U144-1655-G61038
- 5: 铜壳镀镍
- G: 半金G/Fu"
- 3: 载带
- 1: 黑色
- 6: LCP

TOLERANCE UNLESS OTHERWISE SPECIFIED		<b>FLW 深圳市华联威电子科技有限公司</b>				
.XXX ±0.10 .XX ±0.20 .X ±0.30		.X' ±3' .XX' ±2'		HUA LIAN WEI TECHNOLOGY ELECTRONICS CO;LTD.		
APPROVED		PART NAME:	MINI 5P/F 沉板SMT			
CHECKED		PART No:	U144-1655-G61038	C		
DRAWN	chenyiting	PROJECTION:	UNIT:	SCALE	SHEET	REV.
DATE	2022.04.21		mm	1:1	10F1	AO