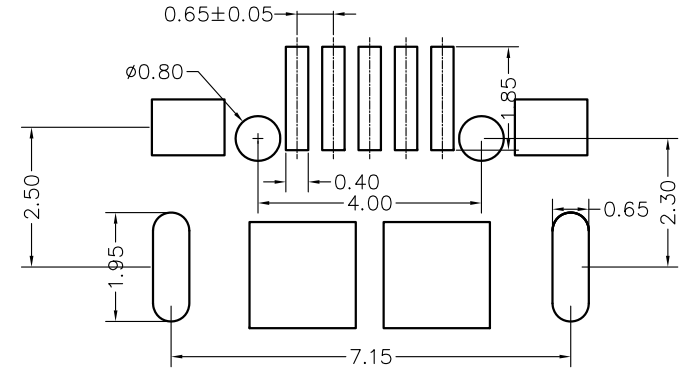
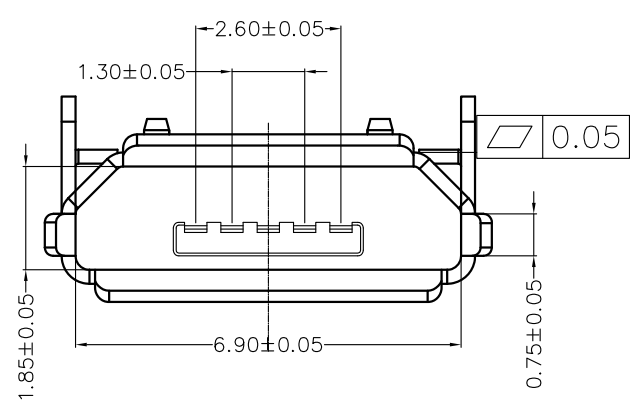
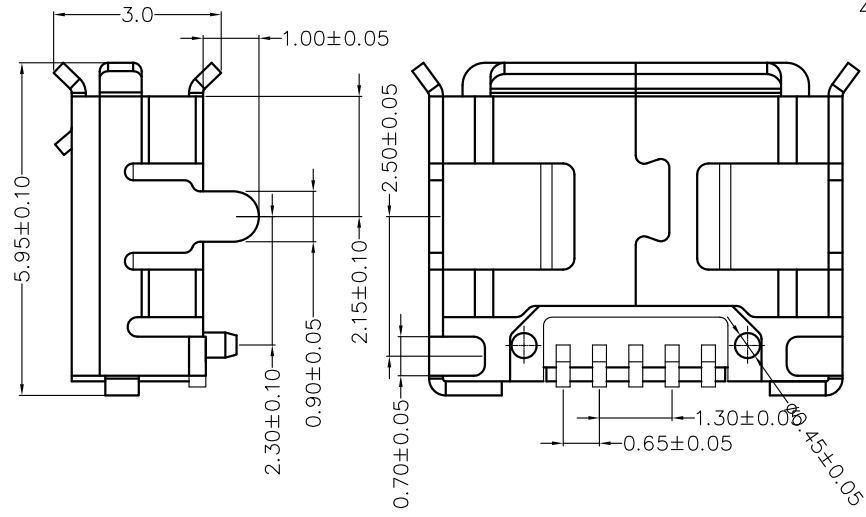
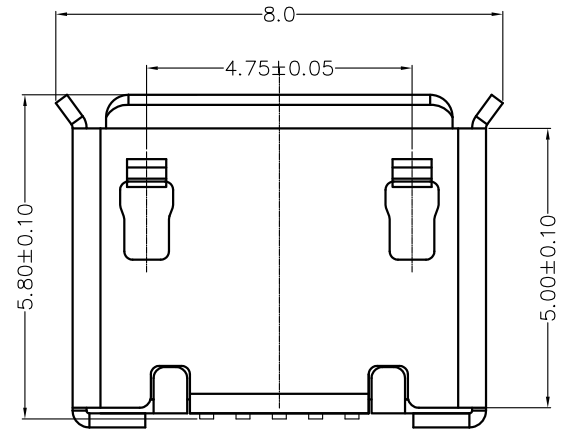


REV.	ECN.NO.	APPD.
A	EXXXXXXXXXX	yangguifeng



- NOTES:
- MATERIAL:
 - Housing: thermoplastic plastics,
 - terminals: Copper Alloy
Gold plated overall
 - Shell: Steel & Copper Alloy
Nickel/Tin Plated overall
 - ELECTRICAL CHARACTERISTICS:
 - Rating Current : 1.5 Ampere
 - Rating Voltage : 30 V Max
 - Contact Resistance: 50 Milli ohms
 - Insulation Resistance: 100 Mega ohms Min.
 - MECHANICAL CHARACTERISTICS:
 - Connector Mating force: 35N MAX
 - Connector Unmating force: 7N min
 - ENVIRONMENT CHARACTERISTICS:
 - Operating temperature: -0°C to +50°C
 - Storage temperature: -20°C to +60°C

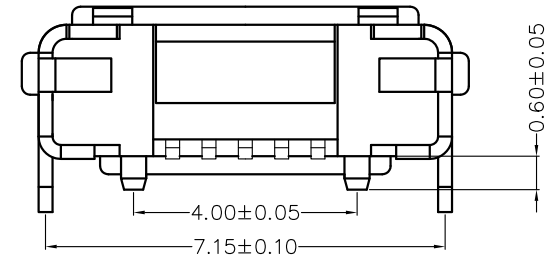
RECOMMENDED PCB LAYOUT



U442-A716-G61038

6: 铜壳镀雾锡
G: 半金G/Fu
6: LCP

3: 载带
1: 黑色



TOLERANCE UNLESS OTHERWISE SPECIFIED		FLW 深圳市华联威电子科技有限公司 HUA LIAN WEI TECHNOLOGY ELECTRONICS CO				
.XXX ±0.10	.X ±3'	APPROVED	PART NAME: MICRO 5P 前插后贴			
.XX ±0.20	.XX' ±2'	CHECKED	PART No: U442-A716-G61038			C
.X ±0.30		DRAWN yangguifeng	PROJECTION:	UNIT: mm	SCALE: 1:1	SHEET: 1 OF 1
		DATE: 2021.12.01			REV. A	