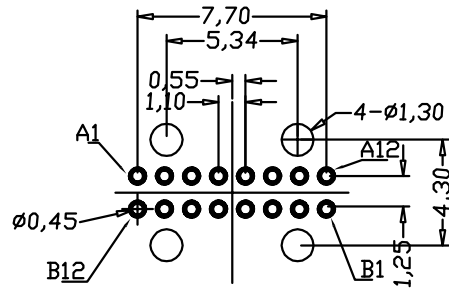
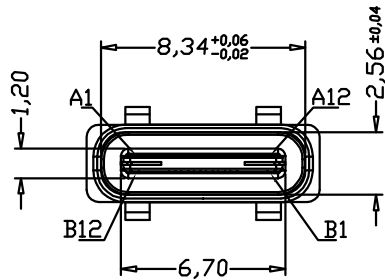
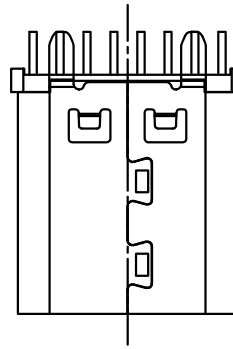
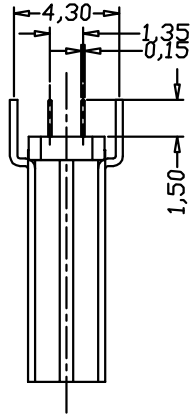
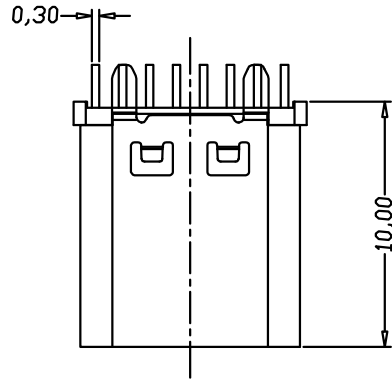
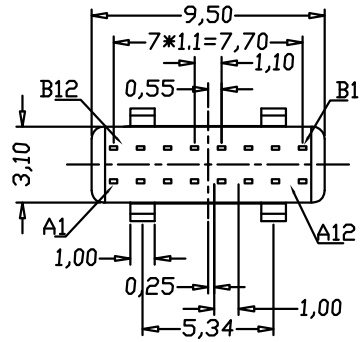


REV.	ECN.NO.	APPD.
A	EXXXXXXXXXXX	陈建辉



RECOMMENDED P.C.B. LAYOUT  
TOLERANCE UNSPECIFIED ±0.05mm

NOTES:

1.MATERIAL:

- 1.1 Housing:thermoplastic plastics
- 1.2 terminals:Copper Alloy  
Gold plated in contact area:  
Tin plated in termination  
Nickel Plated overall
- 1.3 Shell:Steel&Copper Alloy  
Nickel/Au Plated overall

2.characteristics:

- 2.1 Rating Voltage : 30V AC.
  - 2.2 Rating Current:  
5A for Vbus PIN;1.25A for Vconn PIN
  - 2.3 Contact Resistance:40 mΩ MAX.
  - 2.4 Insulation Resistance:100 MΩ MIN.
  - 2.5 Withstanding Voltage:AC 100V
  - 2.6 Mating force: 5~20N MAX
  - 2.7 Extraction force:8~20N Min
  - 2.8 Life test:10000Cycles MIN.
  - 2.9 Temperature Range: -30℃~+80℃.
- The product must be compliance ROHS

U521-063B-G61018

- B: 不锈钢镀镍
- G: 半金G/Fu
- 6: LCP
- 1: 吸塑盒
- 1: 黑色

TOLERANCE UNLESS OTHERWISE SPECIFIED		<b>FLW</b> 深圳市华联威电子科技有限公司				
.XXX ±0.10		.XX ±0.20		HUA LIAN WEI TECHNOLOGY ELECTRONICS CO;LTD.		
.X ±0.30		.X' ±3'				
		.XX' ±2'				
APPROVED		PART NAME:	TYPE C 16P 10.0立式插脚			
CHECKED		PART No:	U521-063B-G61018			C
DRAWN	chenyiting	PROJECTION:	UNIT:	SCALE	SHEET	REV.
DATE	2023.05.10		mm	1:1	1 OF 1	A