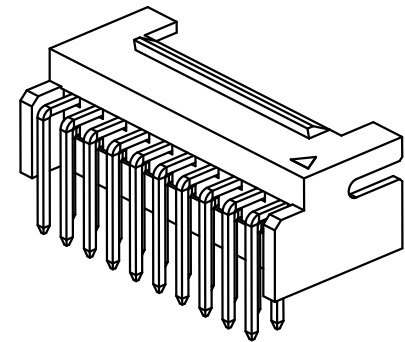
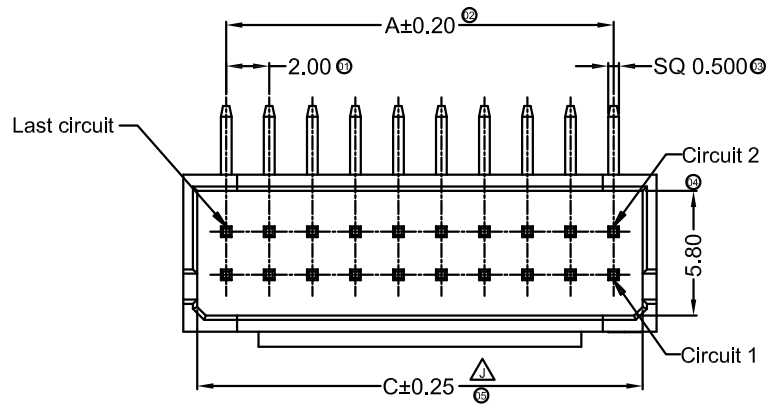
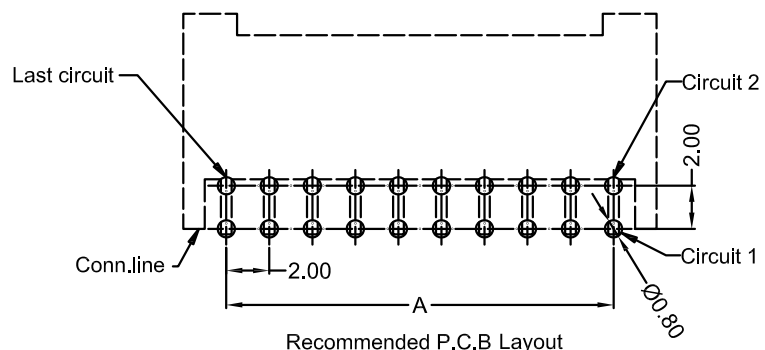
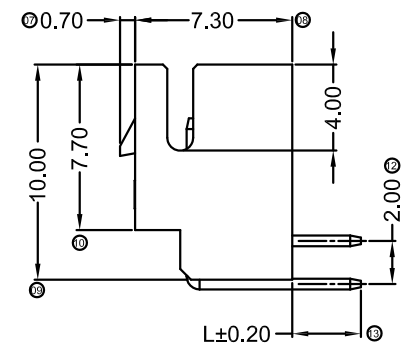
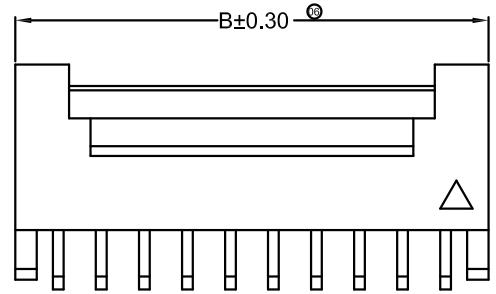


REV.	ECN.NO.	APPD.
A	/	/



- 技术指标 (Technical Index) :
1. 工作温度 (Temperature range) : -25° C-85° C.
  2. 额定电压 (Rated voltage) : 250V DC/AC (rms)
  3. 额定电流 (Rated current) : 5A AC, DC
  4. 接触阻抗 (CONTACT Resistance) : ≤25MΩ
  5. 耐压值 (Withstanding voltage) : 1500V AC/minute
  6. 绝缘阻抗 (Insulation resistance) ≥1000MΩ

216104-1019-G33018  
 G:半金G/Fu”  
 3.Beige  
 3:PA66



Recommended P.C.B Layout  
 General Tolerance±0.05

Poles	Dimensions (mm)			Poles	Dimensions (mm)			Poles	Dimensions (mm)		
	A	B	C		A	B	C		A	B	C
2*02	2.00	6.00	4.70	2*09	16.00	20.00	18.70	2*16	30.00	34.00	32.70
2*03	4.00	8.00	6.70	2*10	18.00	22.00	20.70	2*17	32.00	36.00	34.70
2*04	6.00	10.00	8.70	2*11	20.00	24.00	22.70	2*18	34.00	38.00	36.70
2*05	8.00	12.00	10.70	2*12	22.00	26.00	24.70	2*19	36.00	40.00	38.70
2*06	10.00	14.00	12.70	2*13	24.00	28.00	26.70	2*20	38.00	42.00	40.70
2*07	12.00	16.00	14.70	2*14	26.00	30.00	28.70	2*30	58.00	62.00	60.70
2*08	14.00	18.00	16.70	2*15	28.00	32.00	30.70				

TOLERANCE UNLESS OTHERWISE SPECIFIED		<b>FLW</b> 深圳市华联威电子科技有限公司 HUA LIAN WEI TECHNOLOGY ELECTRONICS CO;LTD.			
.XXX ±0.10	.XX ±0.20	.X ±0.30	.X ±3'	.XX ±2'	
APPROVED		PART NAME:	针座2.0DIP带扣双排弯针2×10P		
CHECKED		PART No:	216104-1019-G33018	C	
DRAWN	weihong	PROJECTION:	UNIT:	SCALE	SHEET
DATE	2021.9.23		mm	1:1	10F1
				REV.	A