

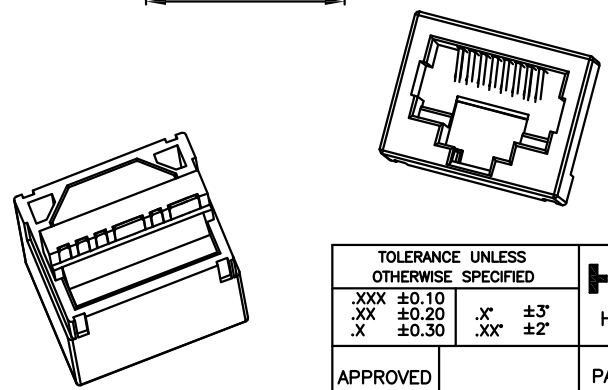
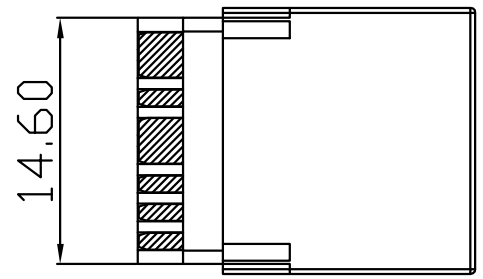
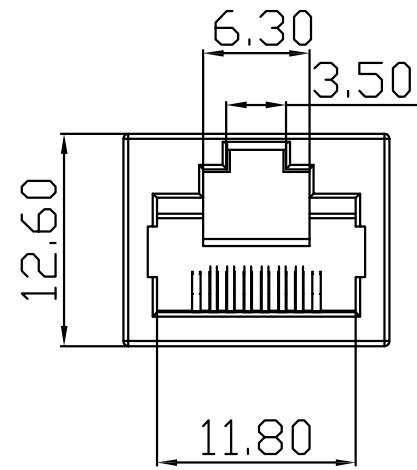
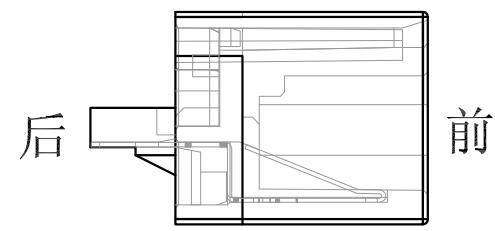
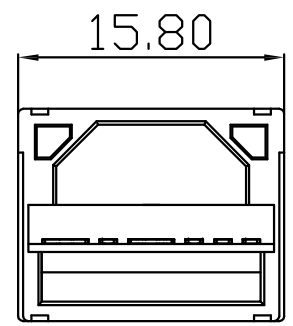
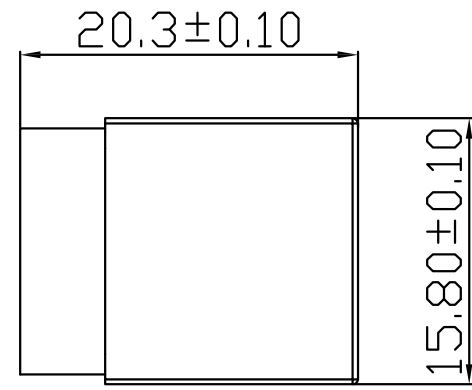
REV.	ECN.NO.	APPD.
A	/	/

NOTES:

- 1.MATERIAL:
 - 1.1 Housing:thermoplastic plastics
 - 1.2 terminals:Copper Alloy
Gold plated in contact area:
OR Gold Plated overall
 - 1.3 Shell:Steel&Copper Alloy
Nickel/Tin Plated overall
- 2.ELECTRICAL CHARACTERISTICS:
 - 2.1 Rating Current :1.5 Ampere
 - 2.2 Rating Voltage :125 V Max
 - 2.3 Contact Resistance:50 Milli ohms
 - 2.4 Insulation Resistance:500 Mega ohms Min.
- 3.MECHANICAL CHARACTERISTICS:
 - 3.1 Connector Mating force: 2.27kgf MAX
 - 3.2 Durability:750Cycles.
- 4.ENVIRONMENT CHARACTERISTICS:
 - 4.1 Operating temperature:-40℃ to +85℃
 - 4.2 Storage temperature:-10℃ to +40℃

RJ45-1100-G21017

G:半金G/Fu" — 1:吸塑盒
2:PBT — 1:黑色



TOLERANCE UNLESS OTHERWISE SPECIFIED		FLW 深圳市华联威电子科技有限公司				
		HUA LIAN WEI TECHNOLOGY ELECTRONICS CO;LTD.				
.XXX ±0.10	.XX ±0.20	.X ±0.30	.X' ±3'			
		.XX' ±2'				
APPROVED		PART NAME:	RJ45 方型母座短路前8后6主体			
CHECKED		PART No:	RJ45-1100-G21017	C		
DRAWN	Qinyuhua	PROJECTION:	UNIT:	SCALE	SHEET	
DATE	2021.11.06		mm	1:1	10F1	
					REV. A	