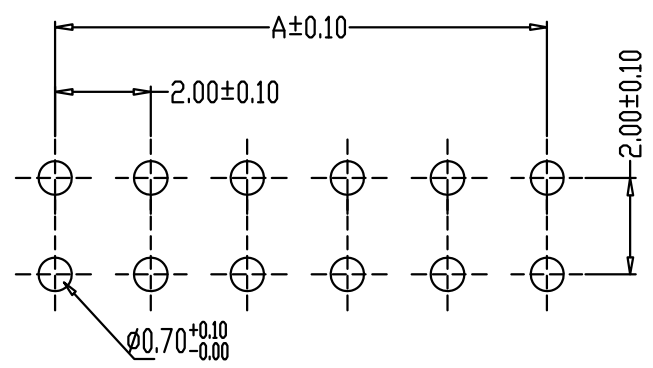
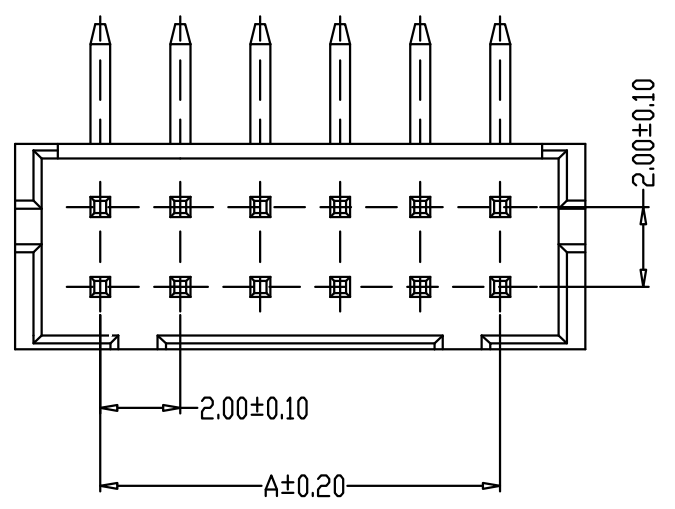
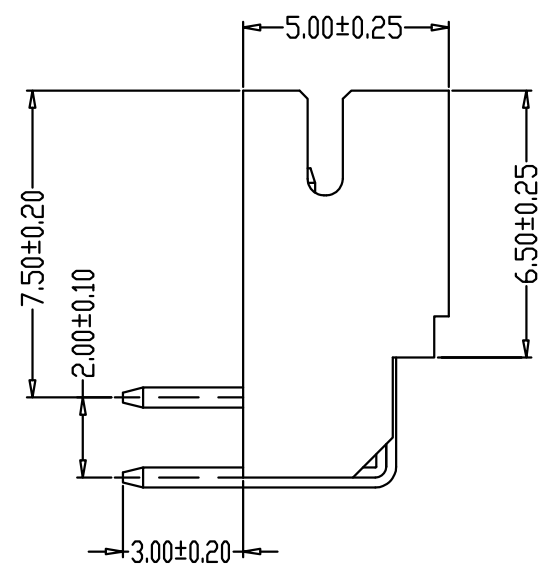
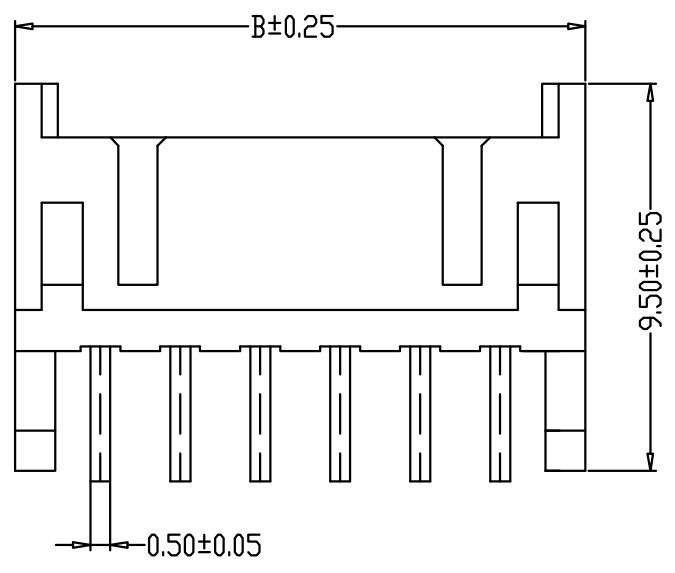


REV.	ECN.NO.	APPD.
A	/	/

技术指标 (Technical Index) :

1. 工作温度 (Temperature range) : -25° C-85° C.
2. 额定电压 (Rated voltage) : 250V DC/AC (rms)
3. 额定电流 (Rated current) : 5A AC, DC
4. 接触阻抗 (CONTACT Resistance) : $\leq 25M\Omega$
5. 耐压值 (Withstanding voltage) : 1500V AC/minute
6. 绝缘阻抗 (Insulation resistance) $\geq 1000M\Omega$



PCB LAYOUT

编号	尺寸 (mm)	
	A	B
A2004-2X02AW	2.00	6.00
A2004-2X03AW	4.00	8.00
A2004-2X04AW	6.00	10.00
A2004-2X05AW	8.00	12.00
A2004-2X06AW	10.00	14.00
A2004-2X07AW	12.00	16.00
A2004-2X08AW	14.00	18.00
A2004-2X09AW	16.00	20.00
A2004-2X10AW	18.00	22.00
A2004-2X11AW	20.00	24.00
A2004-2X12AW	22.00	26.00
A2004-2X20AW	38.00	42.00

TOLERANCE UNLESS OTHERWISE SPECIFIED	
.XXX ±0.10	.X' ±3'
.XX ±0.20	.XX' ±2'
.X ±0.30	

FLW 深圳市华联威电子科技有限公司
HUA LIAN WEI TECHNOLOGY ELECTRONICS CO.;LTD.

APPROVED		PART NAME:	PHD 弯针 DIP			
CHECKED		PART No:	216104-1210-748		C	
DRAWN	weihong	PROJECTION:	UNIT:	SCALE:	SHEET:	REV.
DATE	2021.7.23		mm	1:1	10F1	A