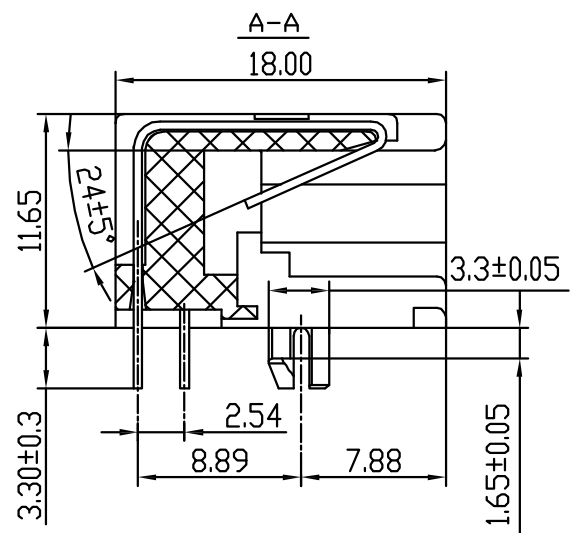
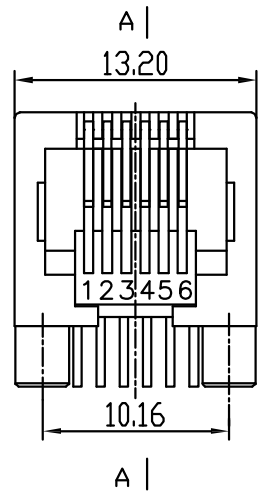
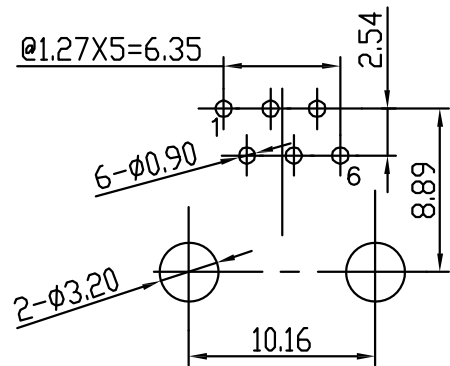
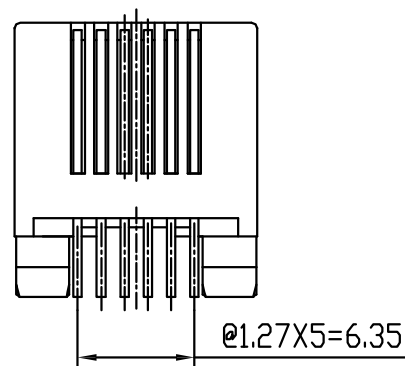


REV.	ECN.NO.	APPD.
/	/	/



- NOTES:
- MATERIAL:
 - Housing:thermoplastic plastics
 - terminals:Copper Alloy
Gold plated in contact area:
OR Gold Plated overall
 - Shell:Steel&Copper Alloy
Nickel/Tin Plated overall
 - ELECTRICAL CHARACTERISTICS:
 - Rating Current :1.5 Ampere
 - Rating Voltage :125 V Max
 - Contact Resistance:50 Milli ohms
 - Insulation Resistance:500 Mega ohms Min.
 - MECHANICAL CHARACTERISTICS:
 - Connector Mating force: 2.27kgf MAX
 - Durability:750Cycles.
 - ENVIRONMENT CHARACTERISTICS:
 - Operating temperature:-40°C to +85°C
 - Storage temperature:-10°C to +40°C



PC BOARD LAYOUT
THICKNESS=1.6MM

R120-11300-G31018

G:半金/Fu”

3:PA46

1:吸塑盒

1:黑色

TOLERANCE UNLESS OTHERWISE SPECIFIED		HLW 深圳市华联威电子科技有限公司			
.XXX ±0.30	.XX ±0.20	.X ±0.10	HUA LIAN WEI TECHNOLOGY ELECTRONICS CO;LTD.		
APPROVED		PART NAME:		RJ11-6P6C全塑底部镂空	
CHECKED		PART No:		R120-11300-G31018	C
DRAWN	chenyiting	PROJECTION:	UNIT:	SCALE	SHEET
DATE	2023.08.20		mm	1:1	10F1
					REV. C