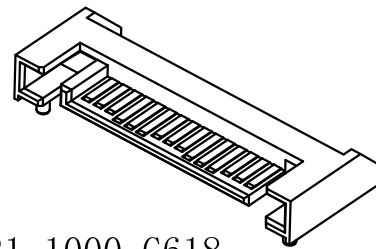
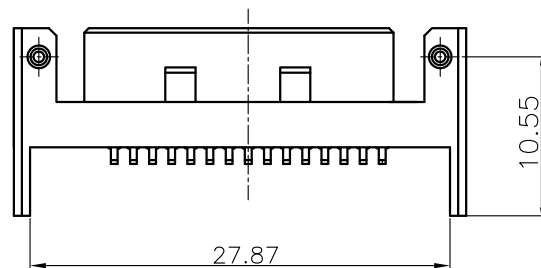
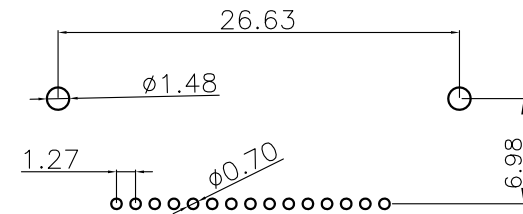
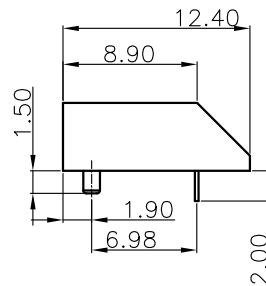
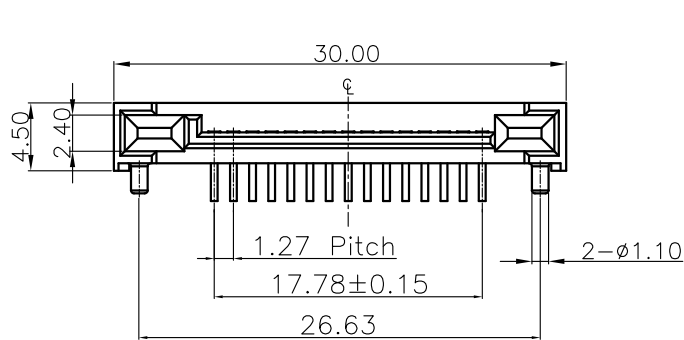
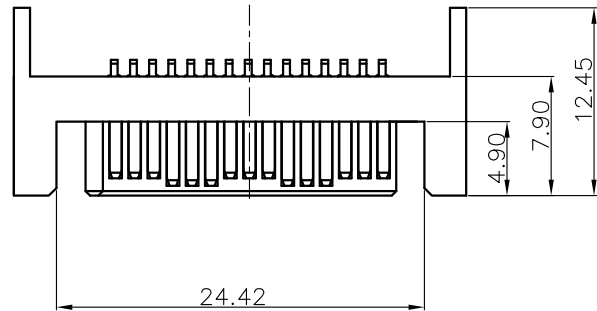


REV.	ECN.NO.	APPD.
A	/	/

NOTE:

- MATERIAL:
HOUSING: LCP WITH 30% GF, UL 94V-0, BLACK COLOR.
CONTACTS: BRASS T=0.25mm.
- FINISH:
CONTACTS: GOLD FALSH PLATED ON CONTACT AREA, [100μ"] MIN..
BRIGHT-TIN ON SOLDER TAIL, WITH ENTIRE CONTACT UNDERPLATED [50μ"] MIN.. NICKEL.
- PART NUMBER DESCRIPTION :



ST21-1000-G618

G: 镀半金G/Fu" 1: 黑色 6: LCP

RECOMMEND PCB LAYOUT
PCB TOLERANCE:±0.05

TOLERANCE UNLESS OTHERWISE SPECIFIED		FLW 深圳市华联威电子科技有限公司 HUA LIAN WEI TECHNOLOGY ELECTRONICS CO;LTD.								
.XXX ±0.10	.XX ±0.20	.X ±0.30	.X' ±3"	.XX' ±2"	PART NAME:		SATA 7+15P 公座DIP 90度斜坡带柱			
APPROVED			CHECKED			PART No:	ST21-1000-G618			
DRAWN	weihong		DATE	2021.9.23		PROJECTION:	UNIT:	SCALE:	SHEET:	REV.:
						mm		1:1	10F1	A