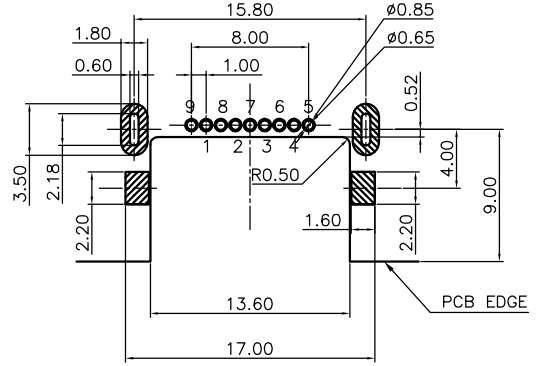
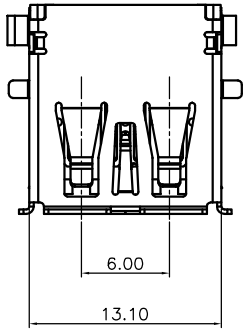
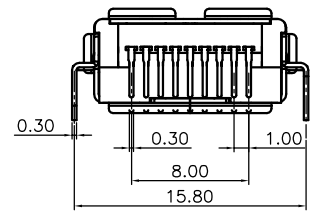
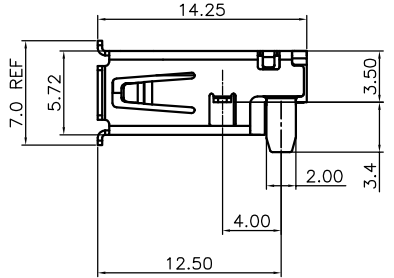
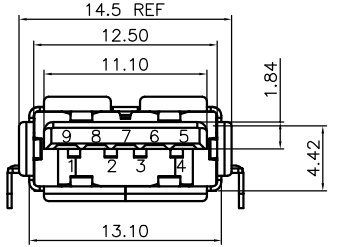


REV.	ECN.NO.	APPD.
A	EXXXXXXXXXX	chenyiting

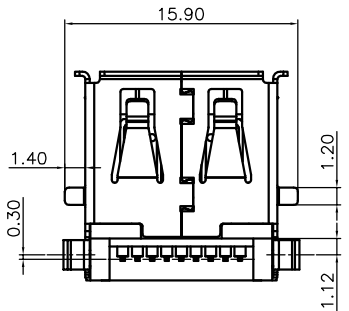


TOLERANCE: ±0.05,
RECOMMENDED PCB LAYOUT
(TOP VIEW)

Remark:
1.MATERIAL:
1.1 Housing:thermoplastic plastics.
1.2 terminals:Copper Alloy
1.3 Front Shell:Copper Alloy/SPCC.
Middle Shell:SPCC
2.characteristics:
2.1 Rating Voltage : 30V AC.
2.2 Rating Current:PIN1&PIN4(Vbus&Correponding ground PIN)
1.8A MAX Other PINS 0.25A min.
2.3 Contact Resistance:PIN1&PIN4:30 mΩ MAX. Other PINS: 50 mΩ
2.4 Insulation Resistance:100 MΩ MIN.
2.5 Withstanding Voltage:AC 100V between adjacent contacts
2.6 Mating force: 3.57Kgf MAX(35N MAX)
2.7 Extraction force:1Kgf Min(9.8N Min)
2.8 Life test:1500Cycles MIN.
2.9 Temperature Range: -30℃~+80℃.



U321-0125-G67018
5:铜壳镀镍
G:半金G/Fu
1:吸塑盒
7:蓝色
6:LCP



TOLERANCE UNLESS OTHERWISE SPECIFIED		FLW 深圳市华联威电子科技有限公司				
.XXX ±0.10 .XX ±0.20 .X ±0.30		HUA LIAN WEI TECHNOLOGY ELECTRONICS CO;LTD.				
.X' ±3' .XX' ±2'		PART NAME:		AF 3.0 90度 端子 插沉板3.5		
APPROVED		PART No:		U321-0125-G67018		C
CHECKED		PROJECTION:		UNIT:	SCALE:	SHEET:
DRAWN	chenyiting	DATE:		mm	1:1	10F1
DATE	2023.06.06	REV.		A		A