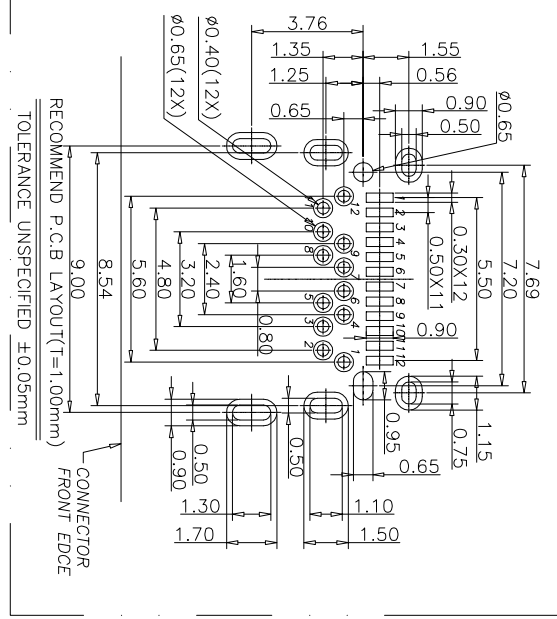


REV.	ECN.NO.	APPD.
A	/	/

NOTES:
 SPECIFICATION:
 1. CURRENT RATING: 5.0 A
 2. VOLTAGE RATING: 5.0 V
 3. VBUS & GND PINS AND OTHER PINS: 40m/PIN MAX A
 SHIELD 50m/MAX
 LCCR MAX. CHANGE OF ALL PINS: 10m
 4. INSULATION RESISTANCE: 900M MIN
 5. DIELECTRIC WITHSTAND VOLTAGE, AC 100V FOR 1MINUTE
 6. INSERTION FORCE: 0.5~2.0kgf
 7. UNMATING FORCE: 0.8~2.0kgf
 8. DURABILITY: 10000 CYCLES
 9. OPERATING TEMPERATURE: -25°C~+85°C
 10. THE PEAK TEMPERATURE ON THE BOARD SHALL BE MAINTAINED FOR 10 SECONDS AT 260°C

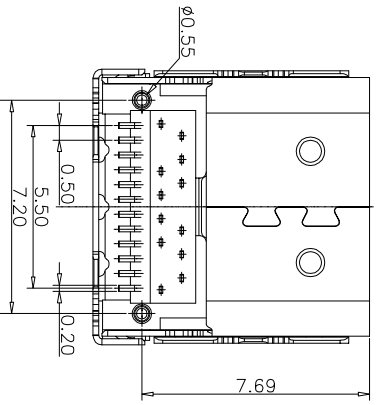
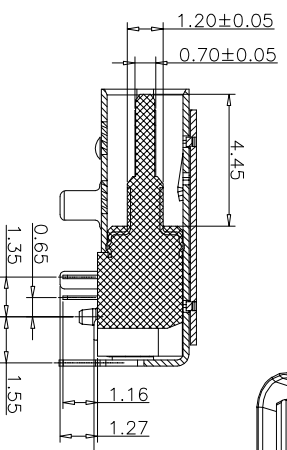
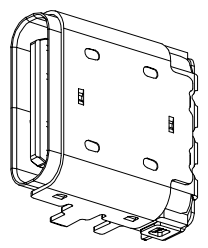
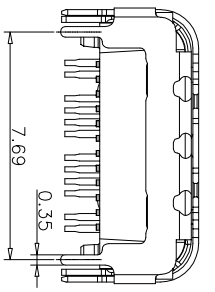
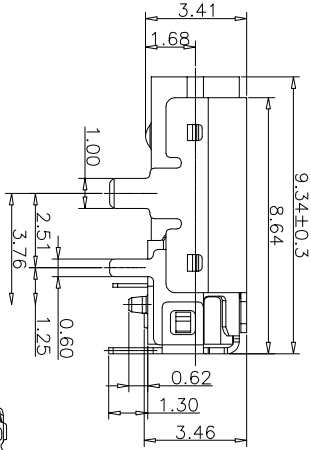
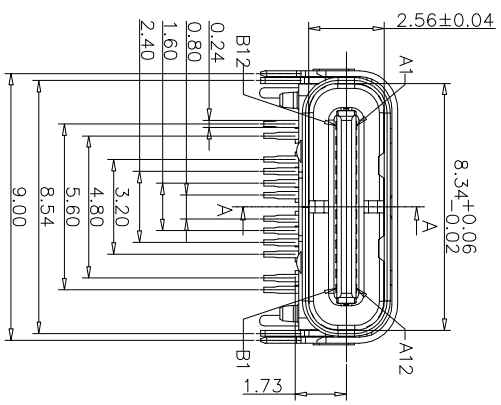


USB TYPE C PIN ASSIGNMENTS

PIN NUMBER	SIGNAL NAME	PIN NUMBER	SIGNAL NAME
A1	GND	B12	GND
A2	TX1+	B11	TX1+
A3	TX1-	B10	TX1-
A4	VBUS	B9	VBUS
A5	CC1	B8	SBU2
A6	DP1	B7	DN2
A7	DM1	B6	DP2
A8	SBU1	B5	CC2
A9	VBUS	B4	VBUS
A10	RX2-	B3	TX2-
A11	RX2+	B2	TX2+
A12	GND	B1	GND

U522-041X-XXX0X8

- 1: 铁壳镀镍
- 5: 铜壳镀镍
- B: 不锈钢镀镍
- 1: 半金 1u"
- 3: 半金 3u"
- 9: 镀全金 1u"
- G: 镀半金 G/Fu"
- 1: 黑色
- 2: 白色
- G: 绿色
- 1: PA46
- 2: PBT
- 6: LCP
- 1: 盘装
- 3: 载带



TOLERANCE UNLESS OTHERWISE SPECIFIED	XXX ±0.10 XX ±0.20 X ±0.30	X" ±3 XX" ±2	HLW 深圳市华联威电子科技有限公司 HUA LIAN WEI TECHNOLOGY ELECTRONICS CO.,LTD.				
APPROVED							
CHECKED							
DRAWN	weihong						
DATE	2021.9.23		PROJECTION:	UNIT: mm	SCALE: 1:1	SHEET: 10F1	REV. A
PART NAME: TYPE C 24P DIP+SMT板上双壳六脚插母座			PART NO: U522-041X-XXX0X8	C			