

9

8

7

6

5

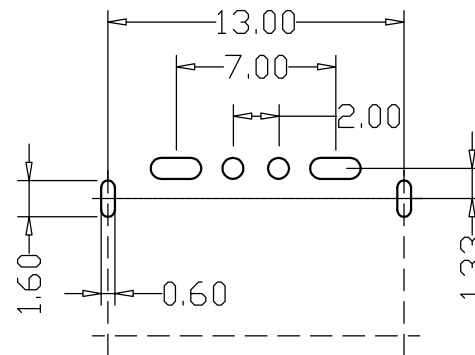
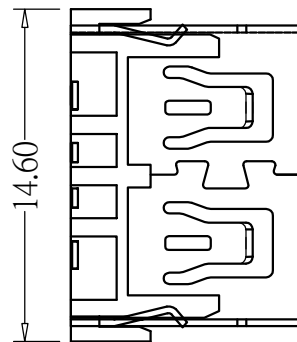
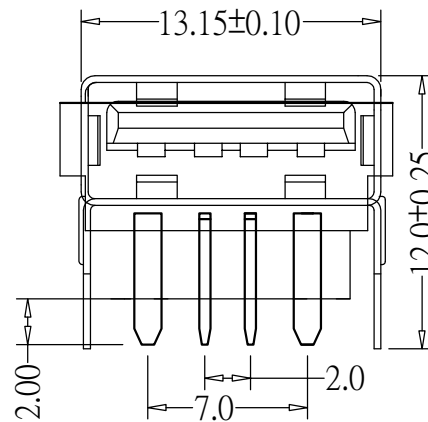
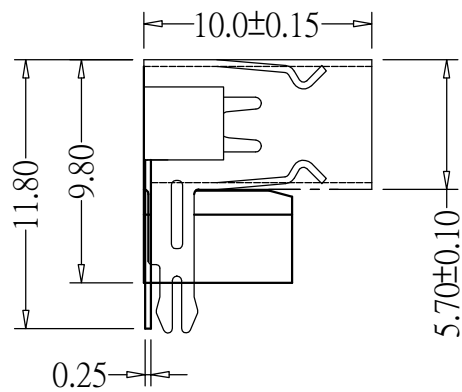
4

3

2

1

REV.	ECN.NO.	APPD.
A	/	/



RECOMMENDED P. C. B LAYOUT

NOTES:

1.MATERIAL:

1.1 Housing:thermoplastic plastics

1.2 terminals:Copper Alloy

Gold plated in contact area:

Tin plated in termination

Nickel Plated overall

1.3 Shell:Steel&Copper Alloy

Nickel Plated overall

2.ELECTRICAL CHARACTERISTICS:

2.1 Rating Current :1.5 Ampere

2.2 Rating Voltage :30 V Max

2.3 Contact Resistance:30 Milli ohms

2.4 Insulation Resistance:1000 Mega ohms Min.

3.MECHANICAL CHARACTERISTICS:

3.1 Connector Mating force: 35N MAX(3.57Kgf)

3.2 Connector Unmating force:10N min(1.02Kgf)

3.3 Durability:1500Cycles.

4.ENVIRONMENT CHARACTERISTICS:

4.1 Operating temperature:-0°C to +50°C

4.2 Storage temperature:-20°C to +60°C

U222-4171-G22017

1:铁壳镀镍

G:半金G/Fu"

1:吸塑盒

2:白色

2:PBT

TOLERANCE UNLESS OTHERWISE SPECIFIED		HUA LIAN WEI TECHNOLOGY ELECTRONICS CO.;LTD.			
.XXX ±0.10	.XX ±0.20	.X ±0.30	.X ±3°	.XX ±2°	
APPROVED		PART NAME:	USB AF 短体90度 四脚插9.8大电流无卷边		
CHECKED		PART No:	U222-4171-G22017	C	
DRAWN	weihong	PROJECTION:	UNIT:	SCALE	SHEET
DATE	2021.11.06		mm	1:1	10F1
					REV. A

9

8

7

6

5

4

3

2

1