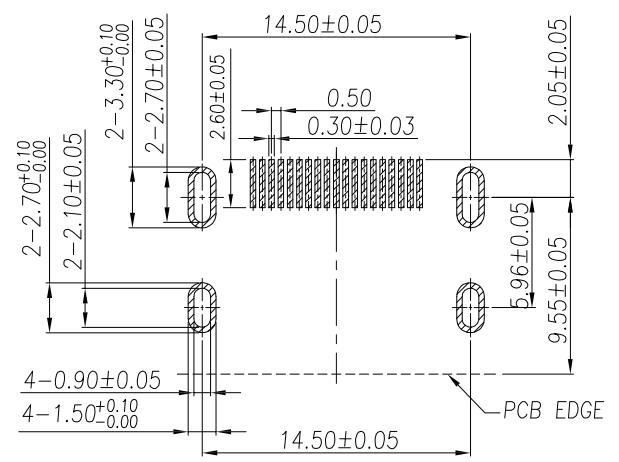
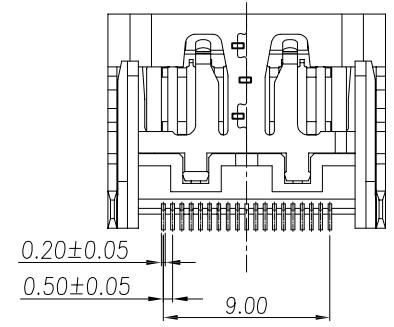
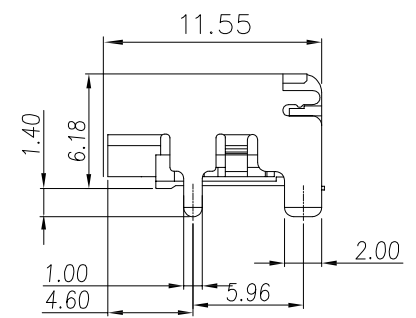
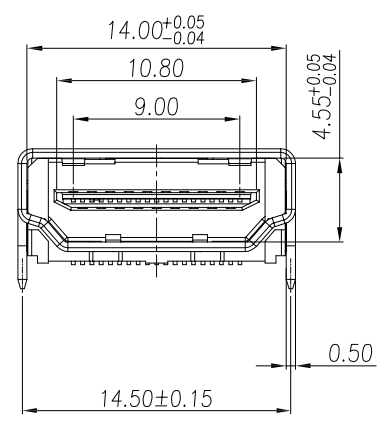
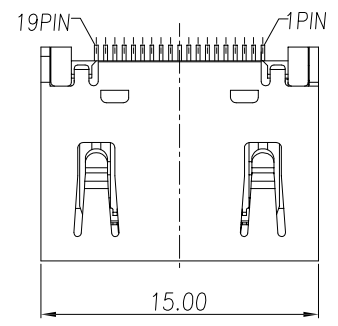


REV.	ECN.NO.	APPD.
A	EXXXXXXXXXX	chenyiting



RECOMMENDED PCB LAYOUT (T:1.60mm)
TOLFRANCF UNSPFCIFIFD +0.10mm

- NOTES:
- MATERIAL:
 - Housing:thermoplastic plastics
 - terminals:Copper Alloy
Gold plated in contact area:
Tin plated in termination
Nickel Plated overall
 - Shell:Steel&Copper Alloy
Nickel/Au Plated overall
 - ELECTRICAL CHARACTERISTICS:
 - Rating Current :0.5 Ampere
 - Rating Voltage :40 V Max
 - Contact Resistance:30 Milli ohms
 - Insulation Resistance:100 Mega ohms Min.
 - MECHANICAL CHARACTERISTICS:
 - Connector Mating force: 4.5kg MAX
 - Connector Unmating force:1.0Kg min
 - Durability:10000Cycles.
 - ENVIRONMENT CHARACTERISTICS:
 - Operating temperature:-20℃ to +85℃
 - Storage temperature:-20℃ to +65℃

HD22-4215-G61018

5: 铜壳镀镍
G: 半金G/Fu"
6: LCP
1: 吸塑盒
1: 黑色

TOLERANCE UNLESS OTHERWISE SPECIFIED		FLW 深圳市华联威电子科技有限公司				
.XXX ±0.10 .XX ±0.20 .X ±0.30		HUA LIAN WEI TECHNOLOGY ELECTRONICS CO;LTD.				
X' ±3' .XX' ±2'		PART NAME:		HDMI 19P SMT四脚插脚插脚长1.4		
APPROVED		PART No:		HD22-4215-G61018		C
CHECKED		PROJECTION:		UNIT:	SCALE	SHEET
DRAWN	chenyiting	DATE		mm	1:1	1 OF 1
DATE	2022.12.01					REV. A