

REV.	ECH. NO.	APPD.
A	/	LXQ

规格说明: Specifications:
电气特性: Electrical:

1. 额定电流: Current Rating
1.0A/contact terminal
2. 额定电压: Voltage Rating
30V DC
3. 接触阻抗: Contact Resistance
50 milliohms MAX
4. 耐电压: Dielectric Withstanding Voltage:
300 V AC AT Sea Level
5. 绝缘阻抗: Insulation Resistance:
100MΩ ohms MIN

原材料: Raw material:

1. 塑胶: Plastic cement:

Hing Temperature Thermoplastics,
LCP Black

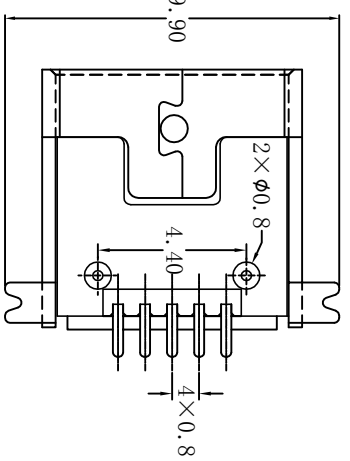
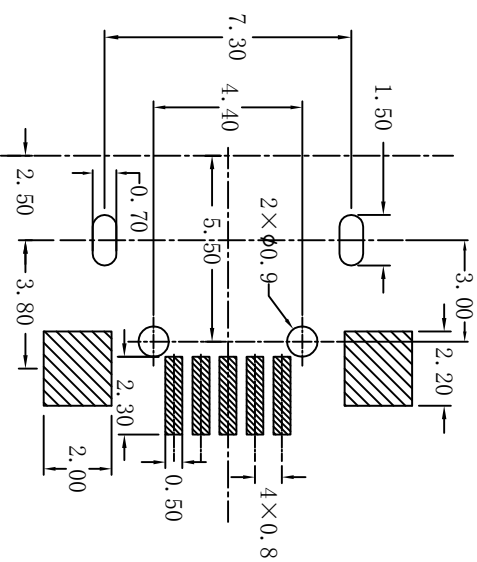
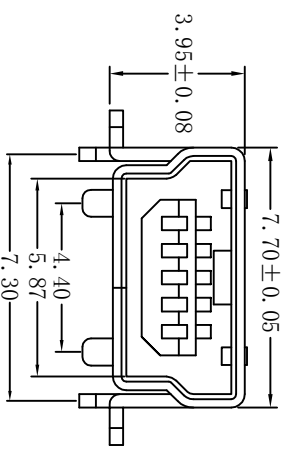
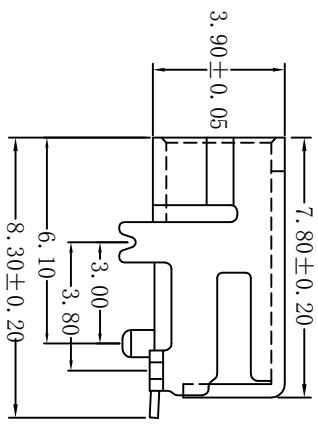
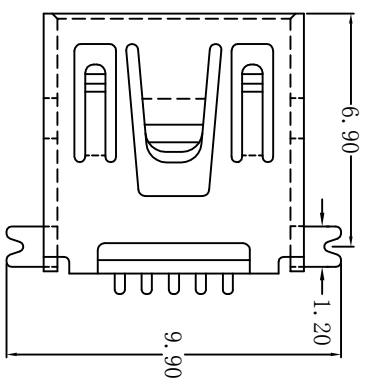
2. 端子: Contact: Copper Alloy C2680/C5191
3. 外壳: Shell: Copper Alloy C2680

电镀: Electroplate:

1. 端子: Contact: Plated Gold in Mating Area:
Tin On Solder Tails
2. 外壳: Shell:
Nickel Plating

U142-0535-XXXX8

- 1: 半金 1u"
 - 3: 半金 3u"
 - 9: 镀全金 1u"
 - G: 镀半金G/Fu"
- 1: 吸塑盒
 - 2: 吸塑管
 - 3: 载带
 - 6: 载带+贴麦拉
 - 1: 黑色
 - 2: 白色
 - 3: 米黄色



RECOMMENDED PCB LAYOUT

TOLERANCE UNLESS OTHERWISE SPECIFIED		HLW 深圳市华联威电子科技有限公司	
XXX ±0.10	X' ±3	HUA LIAN WEI TECHNOLOGY ELECTRONICS CO.,LTD.	
XX ±0.20	.XX ±2		
X ±0.30			
APPROVED	PART NAME:	MINI 5P短体前插后贴1.0柱	
CHECKED	PART No.:	U142-0535-XXXX8	
DRAWN	PROJECTION:	UNIT: mm	
DATE	DATE	SCALE	SHEET
2021.10.29	2021.10.29	1:1	10F1

A

B

C

D

E

F

A

B

C

D

E

F

9 8 7 6 5 4 3 2 1