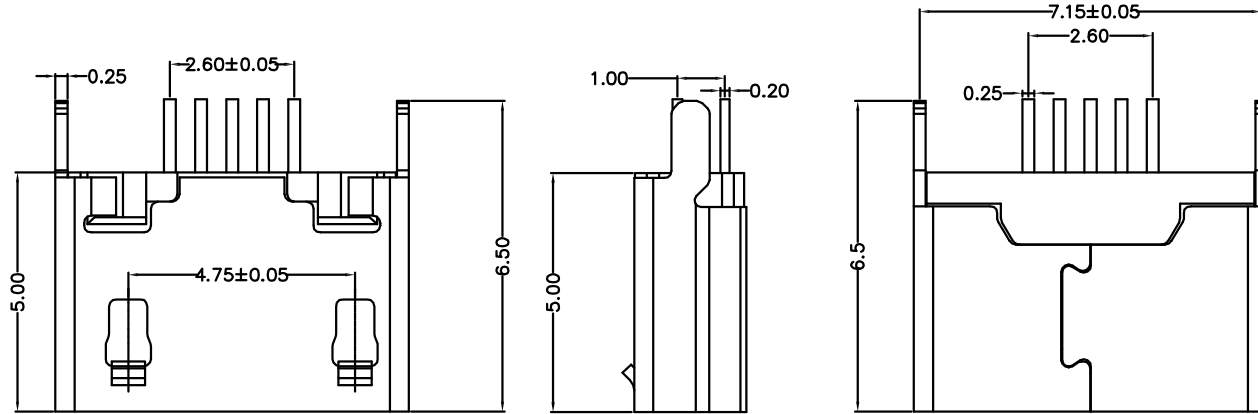
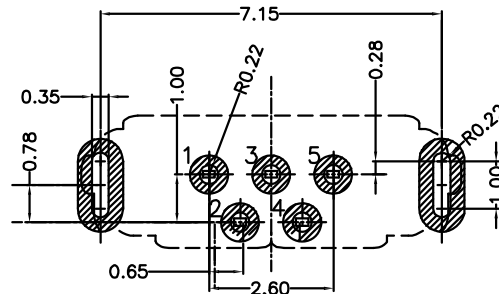
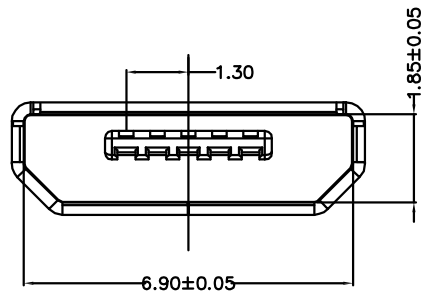


REV.	ECN.NO.	APPD.
A	XXXXXXXXXX	yangguifeng



- NOTES:
- MATERIAL:
 - Housing: thermoplastic plastics.
 - terminals: Copper Alloy
Gold plated overall
 - Shell: Steel & Copper Alloy
Nickel/Tin Plated overall
 - ELECTRICAL CHARACTERISTICS:
 - Rating Current :1.5 Ampere
 - Rating Voltage :30 V Max
 - Contact Resistance:50 Milli ohms
 - Insulation Resistance:100 Mega ohms Min.
 - MECHANICAL CHARACTERISTICS:
 - Connector Mating force: 35N MAX
 - Connector Unmating force:7N min
 - ENVIRONMENT CHARACTERISTICS:
 - Operating temperature:-0°C to +50°C
 - Storage temperature:-20°C to +60°C



RECOMMEDED P.C.B LAYOUT

U443-621X-XXX0X8

- A: 不锈钢镀雾锡
- G: 半金G/Fu"
- 3: 载带
- 1: 黑色
- 6: LCP

TOLERANCE UNLESS OTHERWISE SPECIFIED		HLW 深圳市华联威电子科技有限公司 HUA LIAN WEI TECHNOLOGY ELECTRONICS CO;LTD.			
.XXX ±0.10	.X' ±3'	PART NAME:		MICRO 5P180度短体5.0插脚7.2	
.XX ±0.20	.XX' ±2'	CHECKED		PART No:	U443-621A-G61038
.X ±0.30		DRAWN		yangguifeng	
DATE	2021.12.01	PROJECTION:		UNIT:	SCALE
		mm		1:1	SHEET
		1 OF 1		REV.	A