

9

8

7

6

5

4

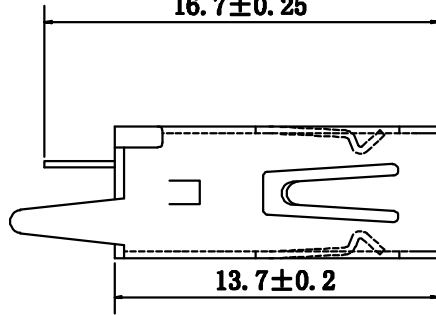
3

2

1

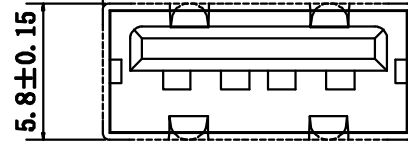
REV.	ECN.NO.	APPD.
A	EXXXXXXXXXX	chenyiting

16.7±0.25



13.7±0.2

13.2±0.15



5.8±0.15

NOTES:

1.MATERIAL:

1.1 Housing:thermoplastic plastics

1.2 terminals:Copper Alloy

Gold plated in contact area:

Tin plated in termination

Nickel Plated overall

1.3 Shell:Steel&Copper Alloy

Nickel Plated overall

2.ELECTRICAL CHARACTERISTICS:

2.1 Rating Current :1.5 Ampere

2.2 Rating Voltage :30 V Max

2.3 Contact Resistance:30 Milli ohms

2.4 Insulation Resistance:1000 Mega ohms Min.

3.MECHANICAL CHARACTERISTICS:

3.1 Connector Mating force: 35N MAX(3.57Kgf)

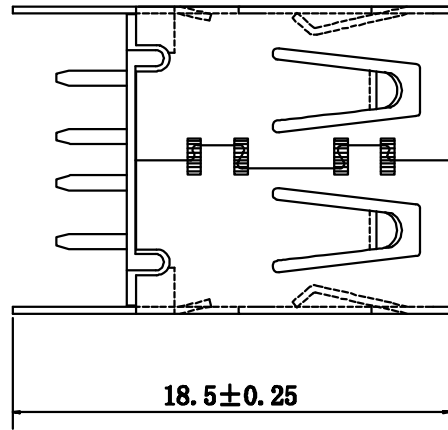
3.2 Connector Unmating force:10N min(1.02Kgf)

3.3 Durability:1500Cycles.

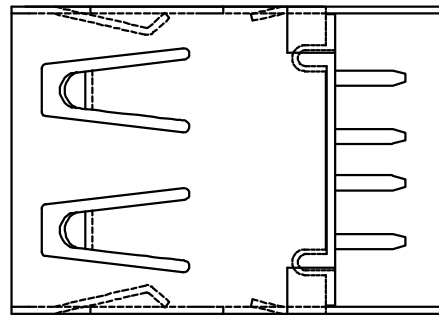
4.ENVIRONMENT CHARACTERISTICS:

4.1 Operating temperature:-0℃ to +50℃

4.2 Storage temperature:-20℃ to +60℃



18.5±0.25



U223-5811-122017

1: 铁壳镀镍

1: 吸塑盒

2: 白色

G: 半金G/Fu"

2: PBT

7.0±0.05

∅0.9±0.05

2.0±0.05

0.6±0.05

13.1±0.05

2.2±0.05

2.4±0.05

PCB LAYOUT

TOLERANCE UNLESS OTHERWISE SPECIFIED		FLW 深圳市华联威电子科技有限公司				
.XXX ±0.10	.XX ±0.20	.X ±0.30	HUA LIAN WEI TECHNOLOGY ELECTRONICSCO;LTD.			
'X' ±3'	'XX' ±2'					
APPROVED		PART NAME:	USB AF180度13.7直插弯脚无卷边			
CHECKED		PART No:	U223-5811-122017			C
DRAWN	chenyiting	PROJECTION:	UNIT:	SCALE	SHEET	REV.
DATE	2023.03.17		mm	1:1	1 OF 1	A

9

8

7

6

5

4

3

2

1