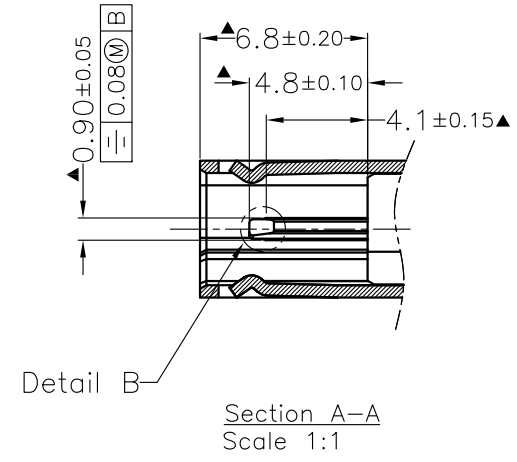
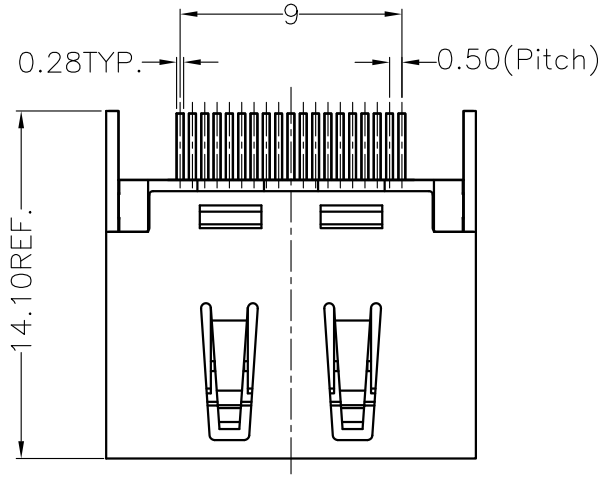
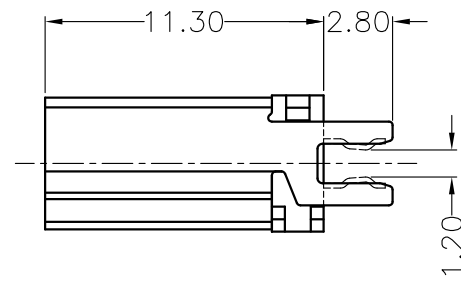
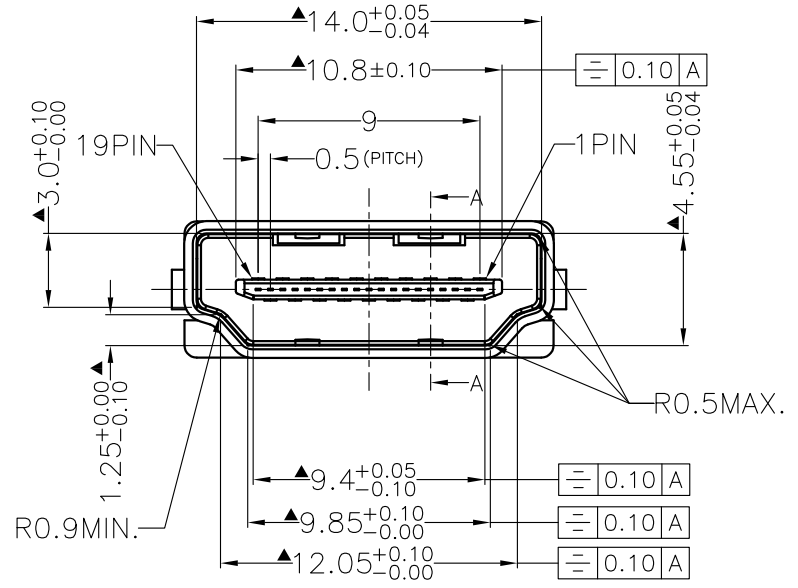


REV.	ECN.NO.	APPD.
A	XXXXXXXXXX	chenyiting



- NOTES:
- MATERIAL:
    - Housing: thermoplastic plastics
    - terminals: Copper Alloy  
Gold plated in contact area;  
Tin plated in termination  
Nickel Plated overall
    - Shell: Steel & Copper Alloy  
Nickel/Au Plated overall
  - ELECTRICAL CHARACTERISTICS:
    - Rating Current : 0.5 Ampere
    - Rating Voltage : 40 V Max
    - Contact Resistance: 30 Milli ohms
    - Insulation Resistance: 100 Mega ohms Min.
  - MECHANICAL CHARACTERISTICS:
    - Connector Mating force: 4.5kg MAX
    - Connector Unmating force: 1.0Kg min
    - Durability: 10000 Cycles.
  - ENVIRONMENT CHARACTERISTICS:
    - Operating temperature: -20°C to +85°C
    - Storage temperature: -20°C to +65°C



- HD22-3315-G61018
- 5: 铜壳镀镍
  - G: 半金G/Fu
  - 1: 吸塑盒
  - 1: 黑色
  - 6: LCP

TOLERANCE UNLESS OTHERWISE SPECIFIED		<b>FLW</b> 深圳市华联威电子科技有限公司				
.XXX ±0.10		HUA LIAN WEI TECHNOLOGY ELECTRONICS CO;LTD.				
.XX ±0.20		.X ±3'				
.X ±0.30		.XX' ±2'				
APPROVED		PART NAME:	HDMI 母座 夹板 1.6			
CHECKED		PART No:	HD22-3315-G61018	C		
DRAWN	chenyiting	PROJECTION:	UNIT:	SCALE:	SHEET:	REV.:
DATE	2021.07.07		mm	1:1	10F1	A