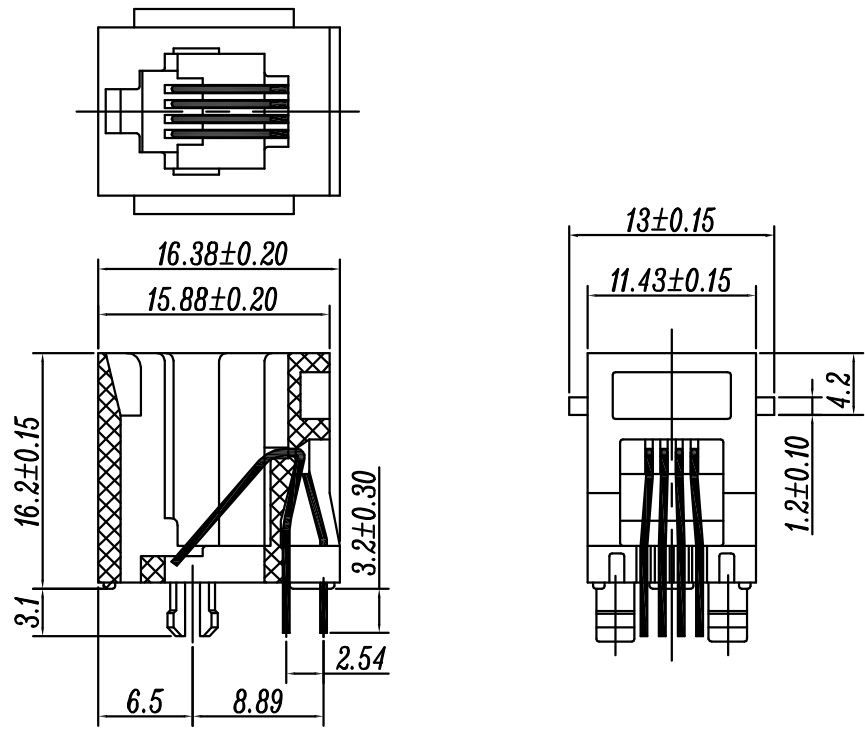
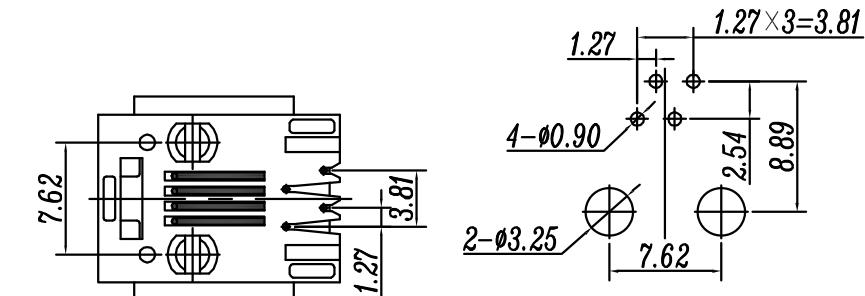


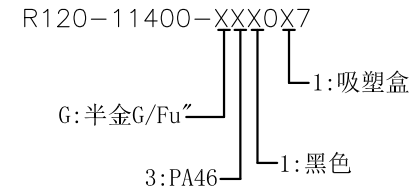
| REV. | ECN.NO. | APPD. |
|------|------------|-------------|
| A | XXXXXXXXXX | yangguifeng |



- NOTES:
- MATERIAL:
 - Housing:thermoplastic plastics
 - terminals:Copper Alloy
Gold plated in contact area:
OR Gold Plated overall
 - Shell:Steel&Copper Alloy
Nickel/Tin Plated overall
 - ELECTRICAL CHARACTERISTICS:
 - Rating Current :1.5 Ampere
 - Rating Voltage :125 V Max
 - Contact Resistance:50 Milli ohms
 - Insulation Resistance:500 Mega ohms Min.
 - MECHANICAL CHARACTERISTICS:
 - Connector Mating force: 2.27kgf MAX
 - Durability:750Cycles.
 - ENVIRONMENT CHARACTERISTICS:
 - Operating temperature:-40°C to +85°C
 - Storage temperature:-10°C to +40°C



PC Board Layout
Top View



| TOLERANCE UNLESS OTHERWISE SPECIFIED | | FLW 深圳市华联威电子科技有限公司 | | | | |
|--------------------------------------|-------------|--------------------|---|----------|------------|---------------|
| .XXX ±0.10 | .XX ±0.20 | .X ±0.30 | HUA LIAN WEI TECHNOLOGY ELECTRONICS CO;LTD. | | | |
| .X' ±3' | .XX' ±2' | | PART NAME: RJ11 4P4C 全塑带边 | | | |
| APPROVED | | | PART No: R120-11400-G31017 | | C | |
| CHECKED | | | PROJECTION: | UNIT: mm | SCALE: 1:1 | SHEET: 1 OF 1 |
| DRAWN | yangguifeng | | DATE: 2021.12.01 | | | REV: A |