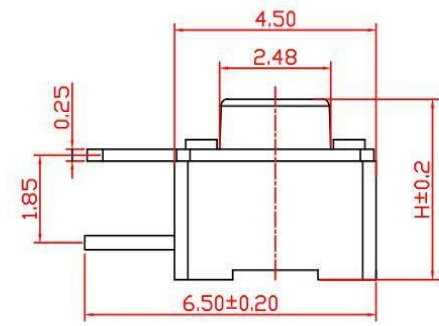
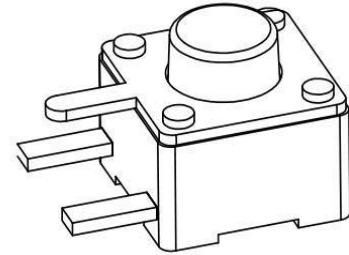
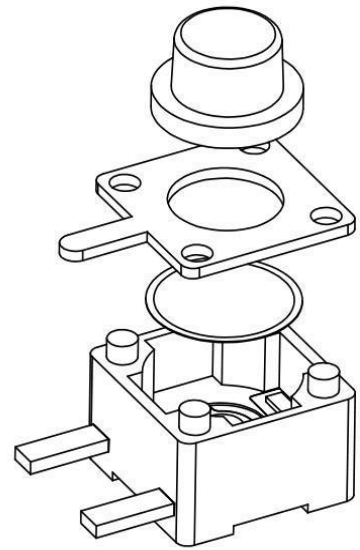
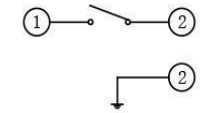


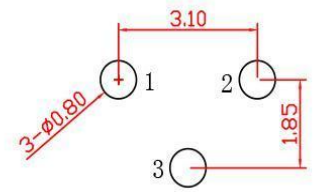
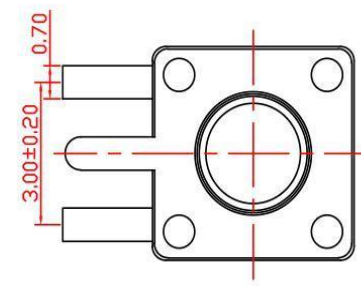
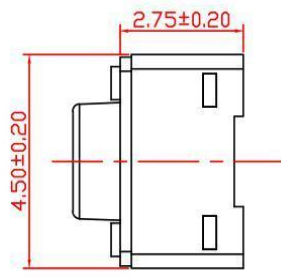
REV.	ECN.NO.	APPD.
A	/	/



H	H
3.5	3.8
4.3	4.5
5.0	5.5
6.0	6.5
.....
10.0	10.5



电路图



PCB. 焊接图

主要技术参数、性能
The Main Thchnology Performance

额定电流、电压 Rate voltage, current	50mA DC12V
接触电阻 Contact resistance	≤100mΩ
按力 Operating force	250±30gf
行程 travel	0.20±0.1mm
绝缘电阻 Insulated resistance	≥100MΩ
介电强度 Dielectric strength	≥250VAC/1min
寿命 Endurance	≥100000次

TOLERANCE UNLESS OTHERWISE SPECIFIED	
.XXX ±0.10	.X' ±3'
.XX ±0.20	.XX' ±2'
.X ±0.30	

FLW 深圳市华联威电子科技有限公司
HUA LIAN WEI TECHNOLOGY ELECTRONICS CO;LTD.

APPROVED		PART NAME:	轻触按压式开关			
CHECKED		PART No:	ST4-0615-D11018	C		
DRAWN	weihong	PROJECTION:	UNIT:	SCALE:	SHEET:	REV.:
DATE	2021.9.23		mm	1:1	10F1	A