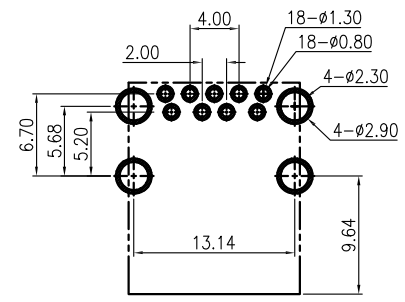
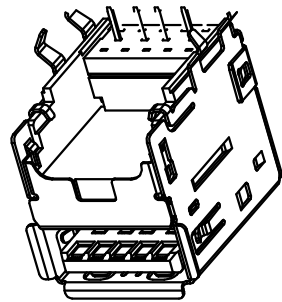
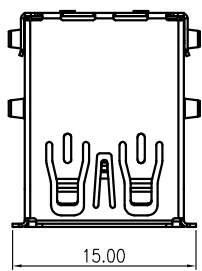
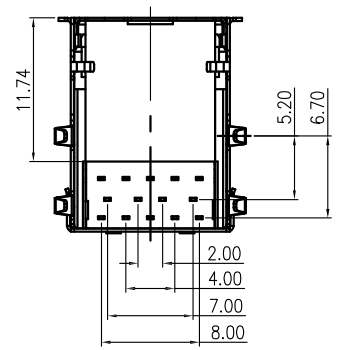
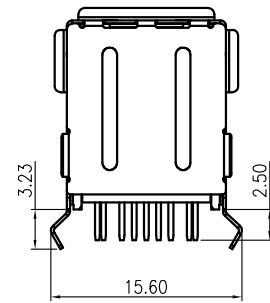
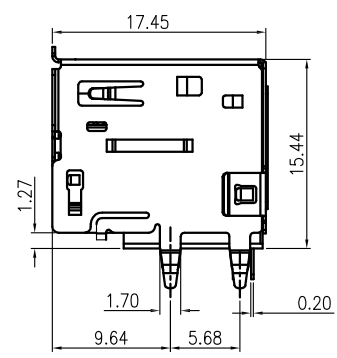
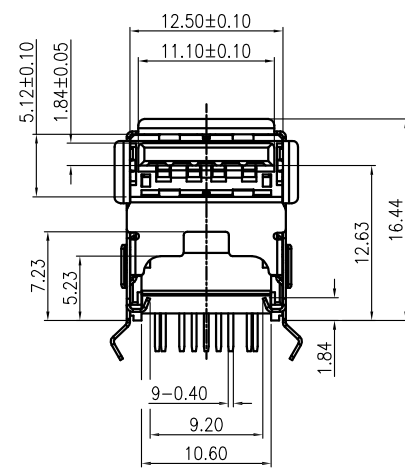


| | | |
|------|---------|-------|
| REV. | ECN.NO. | APPD. |
| A | / | / |



RECOMMENDED P.C.B LAYOUT(TOP VIEW)
THICKNESS 1.60mm(TOLERANCE:±0.05)



Remark:

- MATERIAL:
 - Housing:thermoplastic plastics.
 - terminals:Copper Alloy
 - Front Shell:Copper Alloy/SPCC.
Middle Shell:SPCC
- characteristics:
 - Rating Voltage : 30V AC.
 - Rating Current:PIN1&PIN4(Vbus&Correponding ground PIN)
1.8A MAX Other PINS 0.25A min.
 - Contact Resistance:PIN1&PIN4:30 mΩ MAX.
Other PINS: 50 mΩ
 - Insulation Resistance:100 MΩ MIN.
 - Withstanding Voltage:AC 100V between adjacent contacts
 - Mating force: 3.57Kgf MAX(35N MAX)
 - Extraction force:1Kgf Min(9.8N Min)
 - Life test:1500Cycles MIN.
 - Temperature Range: -30℃~+80℃.

U321-191B-131018

- B: 不锈钢镀镍
- 1: 吸塑盒
- 1: 黑色
- 3: PA9T
- 1: 1u" Au

| | |
|--------------------------------------|----------|
| TOLERANCE UNLESS OTHERWISE SPECIFIED | |
| .XXX ±0.10 | .X* ±3° |
| .XX ±0.20 | .XX* ±2° |
| .X ±0.30 | |

FLW 深圳市华联威电子科技有限公司
HUA LIAN WEI TECHNOLOGY ELECTRONICS CO.,LTD.

| | | | | | | |
|----------|------------|-------------|----------------------------|-------|-------|------|
| APPROVED | | PART NAME: | USB 3.0 AF DIP 90° 加高15.5H | | | |
| CHECKED | | PART No: | U321-191B-131018 | | C | |
| DRAWN | chenyiting | PROJECTION: | UNIT: | SCALE | SHEET | REV. |
| DATE | 2023.04.06 | | mm | 1:1 | 10F1 | A |