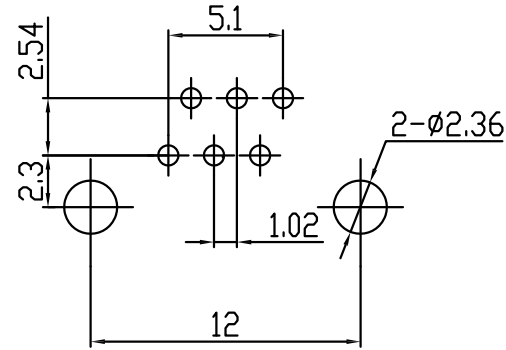
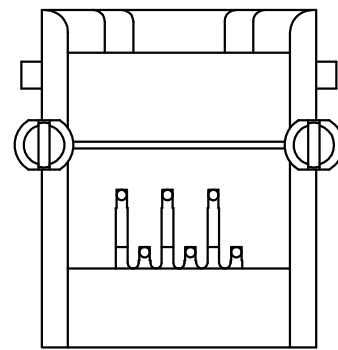


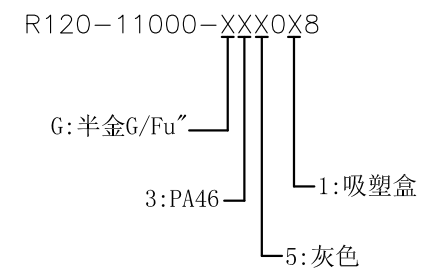
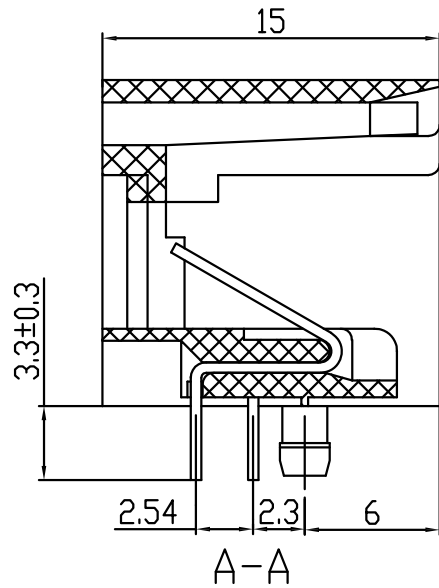
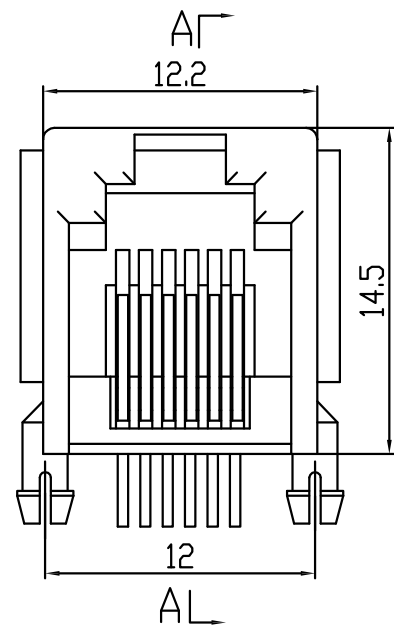
REV.	ECN.NO.	APPD.
A	/	pcy



PC B0ard layout

NOTES:

- 1.MATERIAL:
  - 1.1 Housing:thermoplastic plastics
  - 1.2 terminals:Copper Alloy  
Gold plated in contact area:  
OR Gold Plated overall
  - 1.3 Shell:Steel&Copper Alloy  
Nickel/Tin Plated overall
- 2.ELECTRICAL CHARACTERISTICS:
  - 2.1 Rating Current :1.5 Ampere
  - 2.2 Rating Voltage :125 V Max
  - 2.3 Contact Resistance:50 Milli ohms
  - 2.4 Insulation Resistance:500 Mega ohms Min.
- 3.MECHANICAL CHARACTERISTICS:
  - 3.1 Connector Mating force: 2.27kgf MAX
  - 3.2 Durability:750Cycles.
- 4.ENVIRONMENT CHARACTERISTICS:
  - 4.1 Operating temperature:-40°C to +85°C
  - 4.2 Storage temperature:-10°C to +40°C



TOLERANCE UNLESS OTHERWISE SPECIFIED		<b>FLW</b> 深圳市华联威电子科技有限公司 HUA LIAN WEI TECHNOLOGY ELECTRONICS CO;LTD.				
.XXX ±0.10	.XX ±0.20					.X ±0.30
APPROVED		PART NAME:	RJ11 6P6C全塑			
CHECKED		PART No:	R120-11000-G35018	C		
DRAWN	pengchaoyong	PROJECTION:	UNIT:	SCALE	SHEET	REV.
DATE	2015.03.03		mm	1:1	10F1	A