

9

8

7

6

5

4

3

2

1

REV.	ECN.NO.	APPD.
A	/	/

NOTES:

1.MATERIAL:

1.1 Housing:thermoplastic plastics

1.2 terminals:Copper Alloy

Gold plated in contact area:

OR Gold Plated overall

1.3 Shell:Steel&Copper Alloy

Nickel/Tin Plated overall

2.ELECTRICAL CHARACTERISTICS:

2.1 Rating Current :1.5 Ampere

2.2 Rating Voltage :125 V Max

2.3 Contact Resistance:50 Milli ohms

2.4 Insulation Resistance:500 Mega ohms Min.

3.MECHANICAL CHARACTERISTICS:

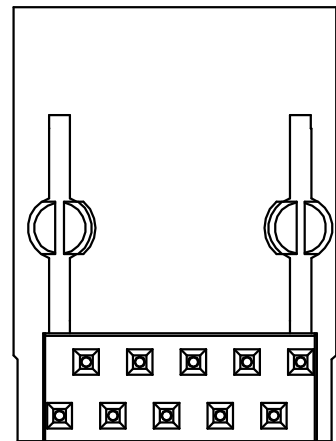
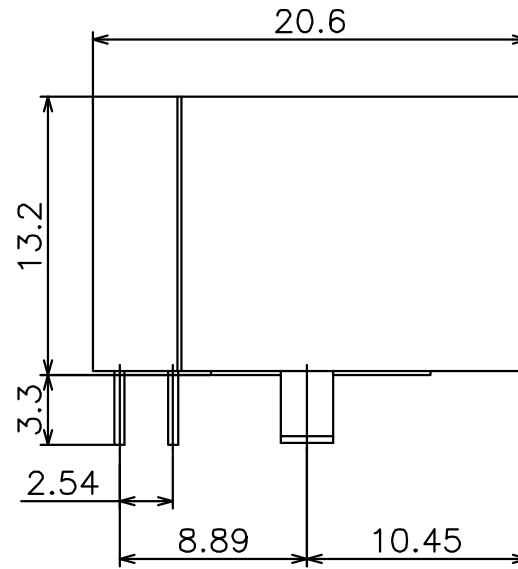
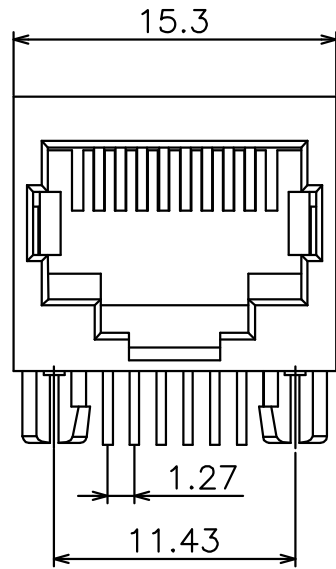
3.1 Connector Mating force: 2.27kgf MAX

3.2 Durability:750Cycles.

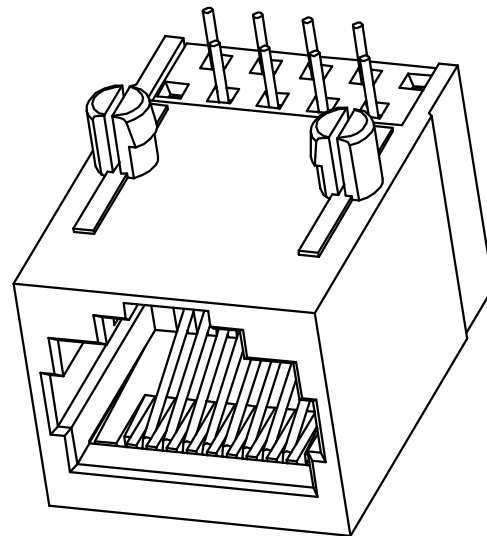
4.ENVIRONMENT CHARACTERISTICS:

4.1 Operating temperature:-40°C to +85°C

4.2 Storage temperature:-10°C to +40°C

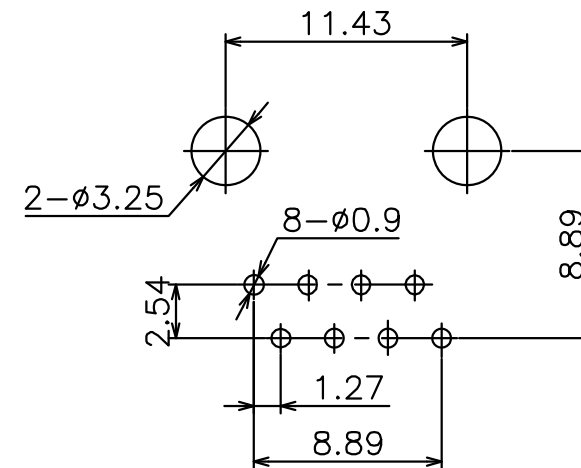


BOTTOM VIEW



R5F0-1170F-G31018

G: 半金G/F
1: 吸塑盒
3: PA46
1: 黑色

PCB LAYOUT (BOTTOM VIEW)
RECOMMENDED

TOLERANCE UNLESS OTHERWISE SPECIFIED		FLW 深圳市华联威电子科技有限公司 HUA LIAN WEI TECHNOLOGY ELECTRONICS CO;LTD.				
.XXX ±0.30	.XX ±0.20	.X ±0.10	.X' ±5°	.XX' ±2°		
APPROVED		PART NAME:	RJ45 21MM全塑			
CHECKED		PART No:	R5F0-1170F-G31018	C		
DRAWN	Shen	PROJECTION:	UNIT:	SCALE:	SHEET:	REV.
DATE	2021.09.01		mm	1:1	10F1	A

9

8

7

6

5

4

3

2

1