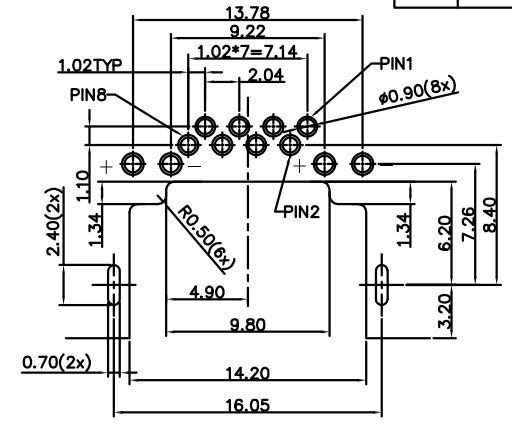
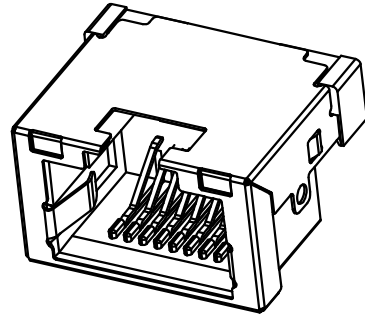
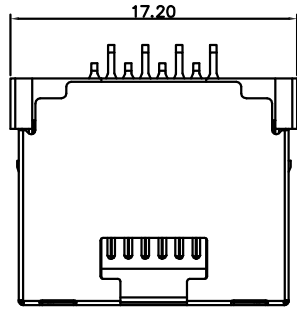
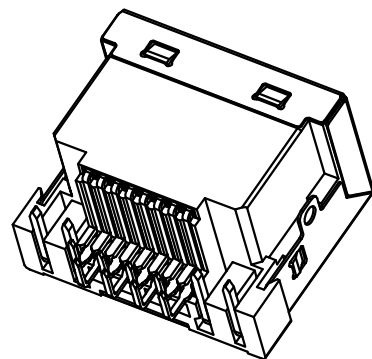
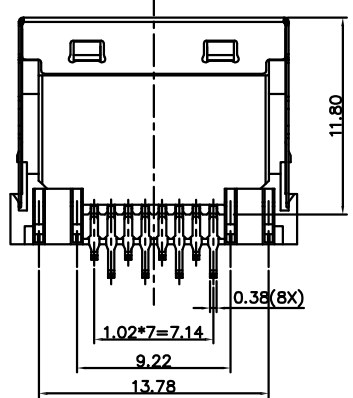
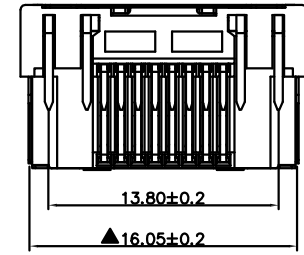
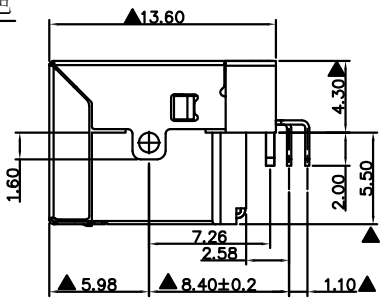
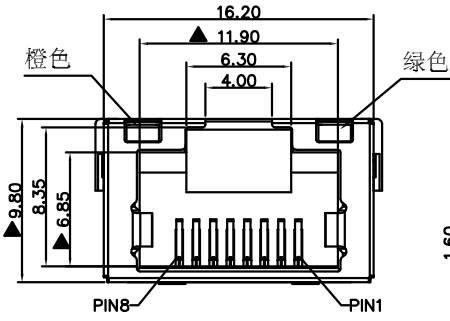


REV.	ECN.NO.	APPD.
A	/	/



RECOMMENDED PCB LAYOUT
TOLERANCE ±0.05



NOTES:

- MATERIAL:
 - Housing:thermoplastic plastics
 - terminals:Copper Alloy
Gold plated in contact area:
OR Gold Plated overall
 - Shell:Steel&Copper Alloy
Nickel/Tin Plated overall
- ELECTRICAL CHARACTERISTICS:
 - Rating Current :1.5 Ampere
 - Rating Voltage :125 V Max
 - Contact Resistance:50 Milli ohms
 - Insulation Resistance:500 Mega ohms Min.
- MECHANICAL CHARACTERISTICS:
 - Connector Mating force: 2.27kgf MAX
 - Durability:750Cycles.
- ENVIRONMENT CHARACTERISTICS:
 - Operating temperature:-40℃ to +85℃
 - Storage temperature:-10℃ to +40℃

R5D0-1103B-G31018
G: 半金G/Fu
3: PA46
1: 黑色
1: 吸塑盒

TOLERANCE UNLESS OTHERWISE SPECIFIED	
.XXX ±0.10	.X' ±3'
.XX ±0.20	.XX' ±2'
.X ±0.30	

FLW 深圳市华联威电子科技有限公司
HUA LIAN WEI TECHNOLOGY ELECTRONICS CO;LTD.

APPROVED		PART NAME:	RJ45 沉板90度 H4.3 黑铜			
CHECKED		PART No:	R5D0-1103B-G31018	C		
DRAWN	weihong	PROJECTION:	UNIT:	SCALE	SHEET	REV.
DATE	2021.7.23		mm	1:1	10F1	A