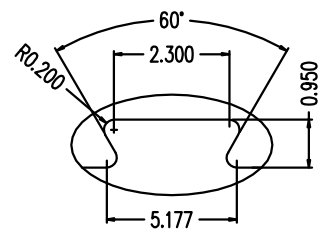
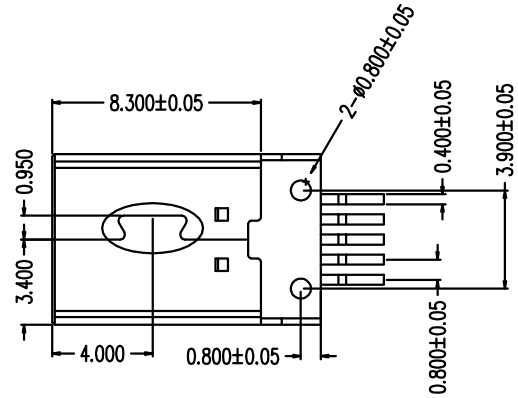
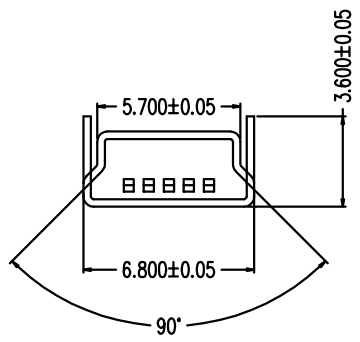
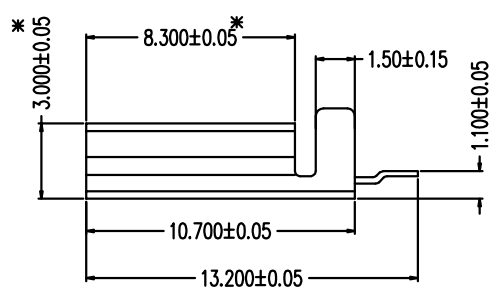


REV.	ECN.NO.	APPD.
A	/	LXQ

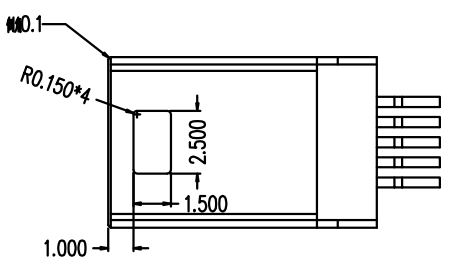
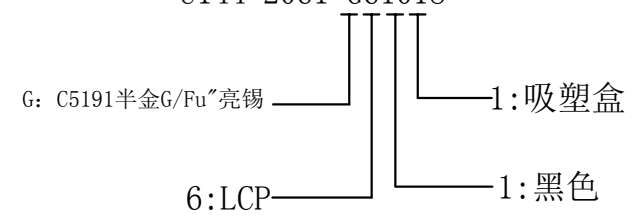


detail A  
scale 2:1

- NOTES:
- MATERIAL:
    - Housing: thermoplastic plastics,
    - terminals: Copper Alloy  
Gold plated in contact area:  
Tin 40u"min plated in termination  
Nickel Plated overall
    - Shell: Steel & Copper Alloy  
Nickel/Tin Plated overall
  - ELECTRICAL CHARACTERISTICS:
    - Rating Current : 1.5 Ampere
    - Rating Voltage : 30 V Max
    - Contact Resistance: 50 Milli ohms
    - Insulation Resistance: 100 Mega ohms Min.
  - MECHANICAL CHARACTERISTICS:
    - Connector Mating force: 35N MAX
    - Connector Unmating force: 7N min
  - ENVIRONMENT CHARACTERISTICS:
    - Operating temperature: -0°C to +50°C
    - Storage temperature: -20°C to +60°C



U144-2061-G61018



TOLERANCE UNLESS OTHERWISE SPECIFIED		<b>FLW</b> 深圳市华联威电子科技有限公司					
.XXX ±0.10		HUA LIAN WEI TECHNOLOGY ELECTRONICS CO;LTD.					
.XX ±0.20		.X' ±3"					
.X ±0.30		.XX' ±2"					
APPROVED		PART NAME:	MINI公头加长				
CHECKED		PART No:	U144-2061-G61018			C	
DRAWN	leixianqiang	PROJECTION:	UNIT:	SCALE	SHEET	REV.	
DATE	2014.08.11		mm	1:1	10F1	A	