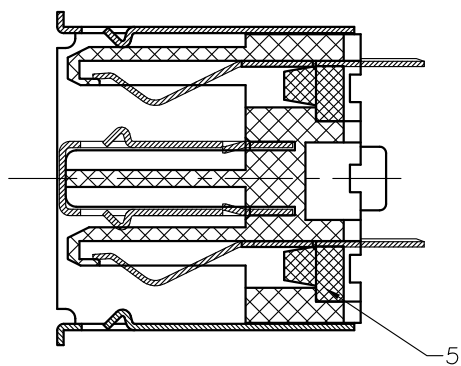
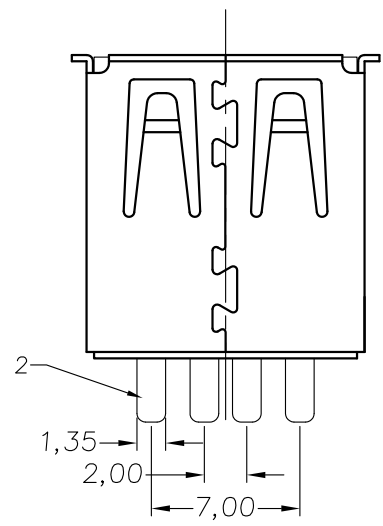
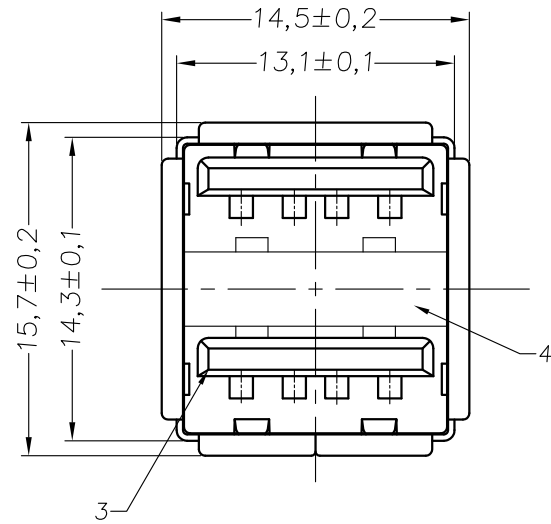
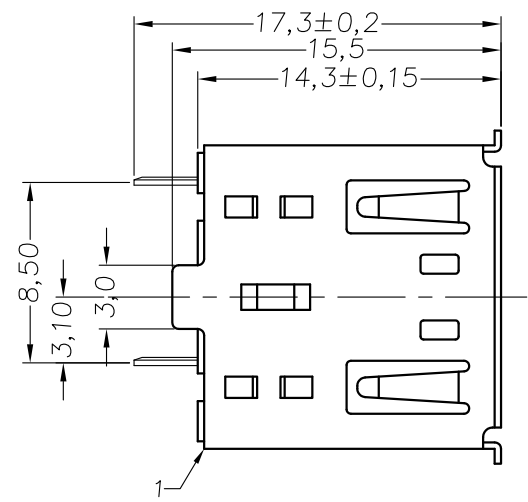


REV.	ECN.NO.	APPD.
A	/	pcy
A1	/	LJF
A1	/	chenyiting

NOTES:

- 1.MATERIAL:
 - 1.1 Housing:thermoplastic plastics
 - 1.2 terminals:Copper Alloy
Gold plated in contact area:
Tin plated in termination
Nickel Plated overall
 - 1.3 Shell:Steel&Copper Alloy
Nickel Plated overall
- 2.ELECTRICAL CHARACTERISTICS:
 - 2.1 Rating Current :1.5 Ampere
 - 2.2 Rating Voltage :30 V Max
 - 2.3 Contact Resistance:30 Milli ohms
 - 2.4 Insulation Resistance:1000 Mega ohms Min.
- 3.MECHANICAL CHARACTERISTICS:
 - 3.1 Connector Mating force: 35N MAX(3.57Kgf)
 - 3.2 Connector Unmating force:10N min(1.02Kgf)
 - 3.3 Durability:1500Cycles.
- 4.ENVIRONMENT CHARACTERISTICS:
 - 4.1 Operating temperature:-0°C to +50°C
 - 4.2 Storage temperature:-20°C to +60°C



U225-0541-G22017

1:铁壳镀镍
1:吸塑盒
G:半金G/Fu
2:白色
2:PBT

TOLERANCE UNLESS OTHERWISE SPECIFIED		FLW 深圳市华联威电子科技有限公司 HUA LIAN WEI TECHNOLOGY ELECTRONICS CO;LTD.				
.XXX ±0.10	.X' ±3'	PART NAME:		AF 180度 双层 短体焊线式有卷边		
.XX ±0.20	.XX' ±2'	APPROVED	PART No:		U225-0541-G22017	C
.X ±0.30		CHECKED	PROJECTION:		UNIT:	SCALE
		DRAWN	chenyiting	mm	1:1	SHEET
		DATE	2022.03.22	mm	1:1	REV.
					10F1	A1