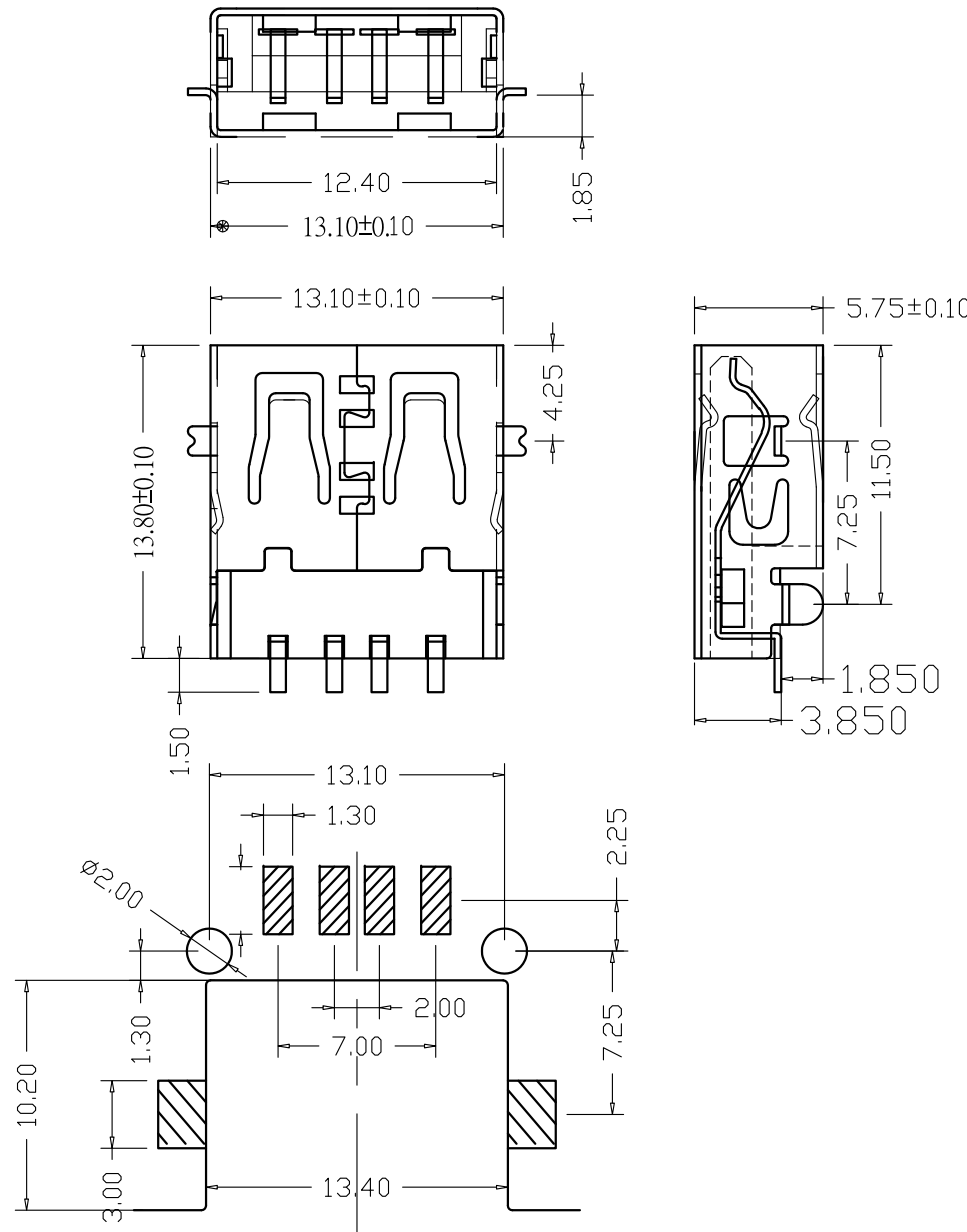


REV.	ECN.NO.	APPD.
A	/	/



NOTES:

1.MATERIAL:

- 1.1 Housing:thermoplastic plastics
- 1.2 terminals:Copper Alloy
Gold plated in contact area:
Tin plated in termination
Nickel Plated overall
- 1.3 Shell:Steel&Copper Alloy
Nickel Plated overall

2.ELECTRICAL CHARACTERISTICS:

- 2.1 Rating Current :1.5 Ampere
- 2.2 Rating Voltage :30 V Max
- 2.3 Contact Resistance:30 Milli ohms
- 2.4 Insulation Resistance:1000 Mega ohms Min.

3.MECHANICAL CHARACTERISTICS:

- 3.1 Connector Mating force: 35N MAX(3.57Kgf)
- 3.2 Connector Unmating force:10N min(1.02Kgf)
- 3.3 Durability:1500Cycles.

4.ENVIRONMENT CHARACTERISTICS:

- 4.1 Operating temperature:-0°C to +50°C
- 4.2 Storage temperature:-20°C to +60°C

U227-7021-G63018
 1:铁壳镀镍
 G:半金G/Fu"
 6:LCP
 1:吸塑盒
 3:米黄色

TOLERANCE UNLESS OTHERWISE SPECIFIED		HUA LIAN WEI TECHNOLOGY ELECTRONICS CO;LTD.					
.XXX ±0.10	.XX ±0.20	.X ±0.30	HUA LIAN WEI TECHNOLOGY ELECTRONICS CO;LTD.				
.X' ±3'	.XX' ±2'		PART NAME: USB AF 沉板SMT无卷边				
APPROVED			PART No: U227-7021-G63018		C		
CHECKED			PROJECTION:	UNIT:	SCALE	SHEET	REV.
DRAWN	weihong		mm	1:1	10F1	A	
DATE	2021.11.06						