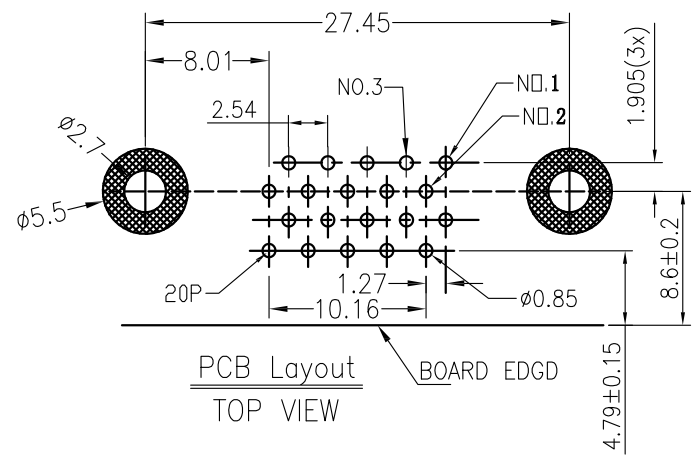
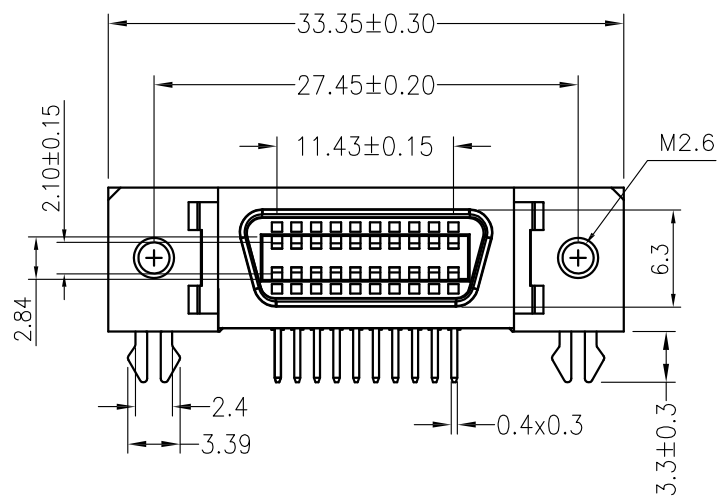


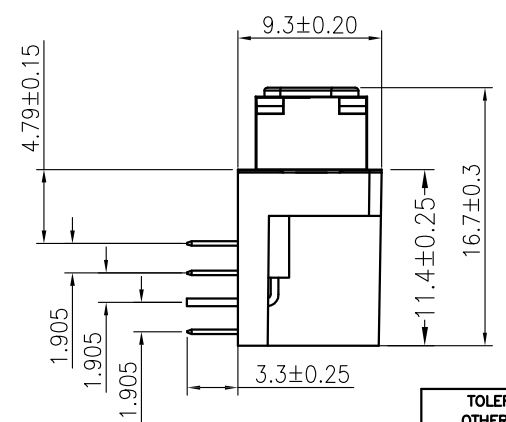
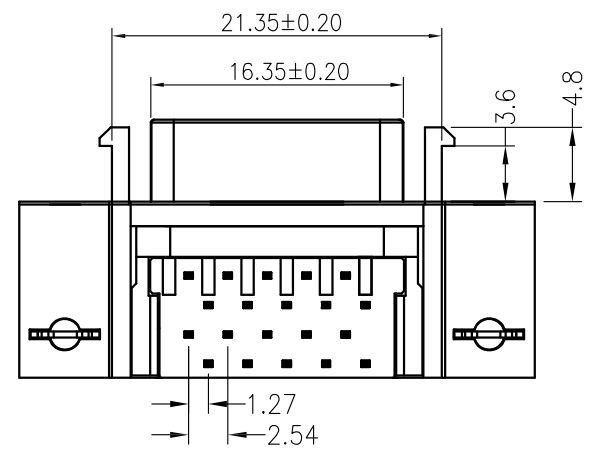
REV.	ECN.NO.	APPD.
A	XXXXXXXXXX	chenyiting



1.SPECIFICATION

- 2.1 Current Rate:5 Amps
- 2.2 Insulator Resistance:1000MΩ Min.
- 2.3 Dielectric Strength:500V AC PER MIN
- 2.4 Operation Temperature:°55C~+105C
- 2.5 Contact Resistance:30mΩ Max

DS812-5711-G217  
 1: 铁壳镀镍  
 G: 半金G/Fu  
 2: PBT  
 1: 黑色



TOLERANCE UNLESS OTHERWISE SPECIFIED	
.XXX ±0.10	.X' ±3'
.XX ±0.20	.XX' ±2'
.X ±0.30	

**FLW** 深圳市华联威电子科技有限公司  
 HUA LIAN WEI TECHNOLOGY ELECTRONICS CO;LTD.

APPROVED		PART NAME:	D-SUB 90度弯脚20PIN			
CHECKED		PART No:	DS812-5711-G217			C
DRAWN	chenyiting	PROJECTION:	UNIT:	SCALE	SHEET	REV.
DATE	2022.04.04		mm	1:1	1 OF 1	A