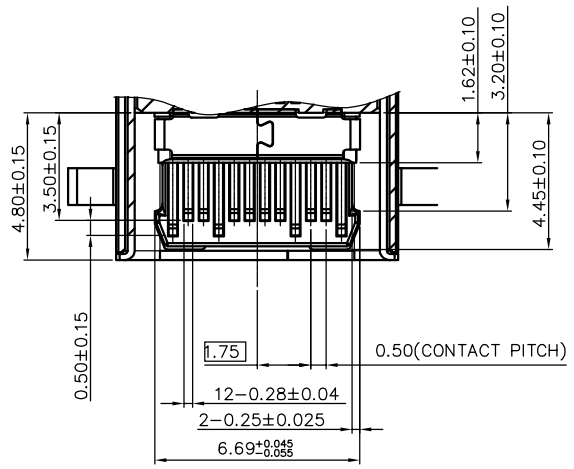
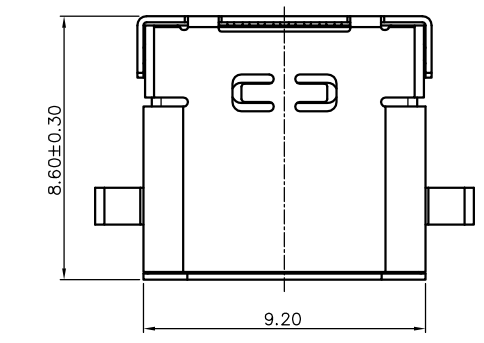


REV.	ECN.NO.	APPD.
A	EXXXXXXXXXXX	yangguifeng

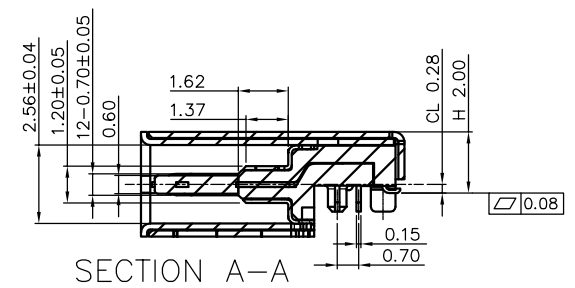
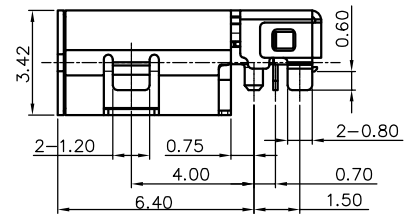
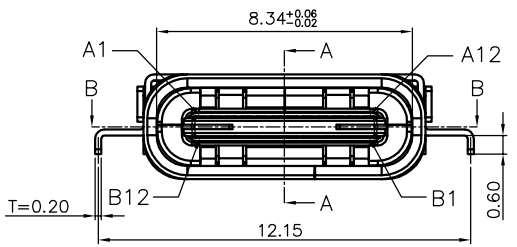
- NOTES:
- MATERIAL:
 - Housing: thermoplastic plastics
 - terminals: Copper Alloy
Gold plated in contact area;
Tin plated in termination
Nickel Plated overall
 - Shell: Steel&Copper Alloy
Nickel/Au Plated overall
 - characteristics:
 - Rating Voltage : 30V AC.
 - Rating Current:
5A for Vbus PIN;1.25A for Vconn PIN
 - Contact Resistance:40 mΩ MAX.
 - Insulation Resistance:100 MΩ MIN.
 - Withstanding Voltage:AC 100V
 - Mating force: 5~20N MAX
 - Extraction force:8~20N Min
 - Life test:10000Cycles MIN.
 - Temperature Range: -30℃~+80℃.
- The product must be compliance ROHS

U572-141B-G61038

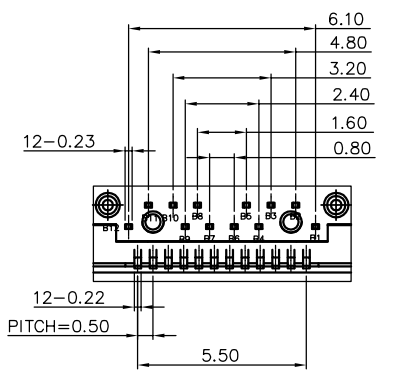
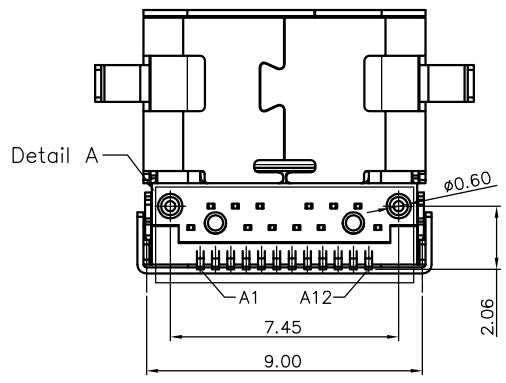
- B: 不锈钢镀镍
G: 半金G/Fu
3: 载带
1: 黑色
6: LCP



SECTION B-B



SECTION A-A



Detail A

TOLERANCE UNLESS OTHERWISE SPECIFIED	
.XXX ±0.10	.X' ±3'
.XX ±0.20	.XX' ±2'
.X ±0.30	
APPROVED	
CHECKED	
DRAWN	yangguifeng
DATE	2021.12.01

FLW 深圳市华联威电子科技有限公司						
HUA LIAN WEI TECHNOLOGY ELECTRONICS CO;LTD.						
PART NAME:		TYPE C 24P 沉板双壳半插半贴短款				
PART No:		U572-141B-G61038			C	
PROJECTION:	UNIT:	SCALE:	SHEET:	REV.		
	mm	1:1	1 OF 1	A		