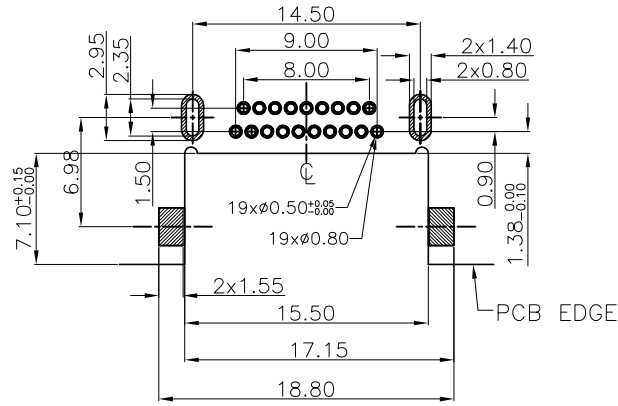
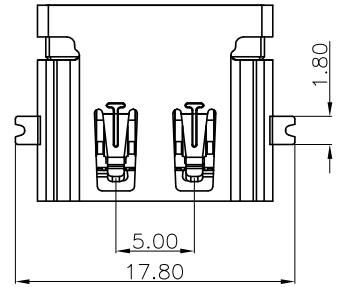
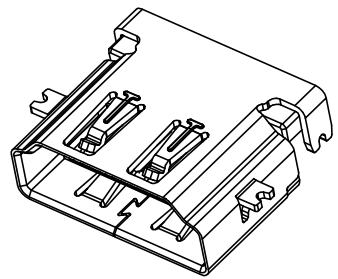
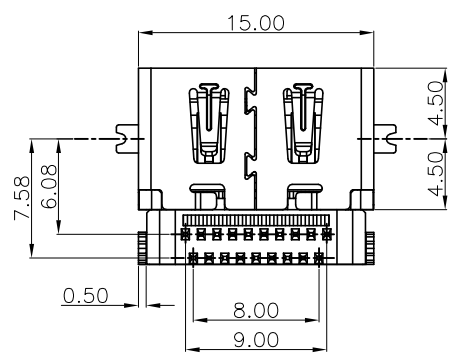
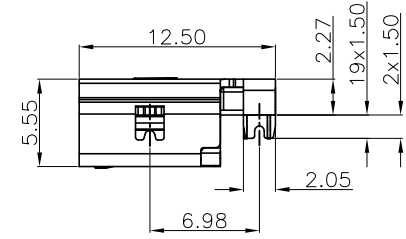
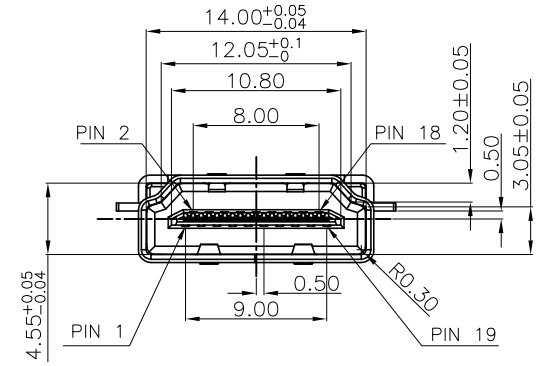


REV.	ECN.NO.	APPD.
A	/	/



RECOMMENDED PCB LAYOUT T=1.60
GENERAL TOLERANCES:±0.05

- NOTES:
- ELECTRONIC:
CONTACT RESISTANCE: 20mohm MAX
INSULATION RESISTANCE: 1000 Mohm MIN
WITHSTAND VOLTAGE:AC 500V,1min.
 - MECHANICAL:
DURABILITY: 10000 CYCLE.
 - ENVIRONMENT CHARACTERISTICS:
OPERATING TEMPERATURE:-55°C TO +105°C
 - RECOMMANDER PCB THICKNESS 1.2 TO 1.60MM
 - PART NO:



TOLERANCE UNLESS OTHERWISE SPECIFIED		FLW 深圳市华联威电子科技有限公司					
.XXX ±0.10		HUA LIAN WEI TECHNOLOGY ELECTRONICS CO.;LTD.					
.XX ±0.20		.X ±3'					
.X ±0.30		.XX ±2'					
APPROVED		PART NAME:	HDMI 19P/F 90度反向沉板H2.27				
CHECKED		PART No:	HD27-061B-161018			C	
DRAWN	weihong	PROJECTION:	UNIT:	SCALE	SHEET	REV.	
DATE	2021.07.23		mm	1:1	10F1	A	