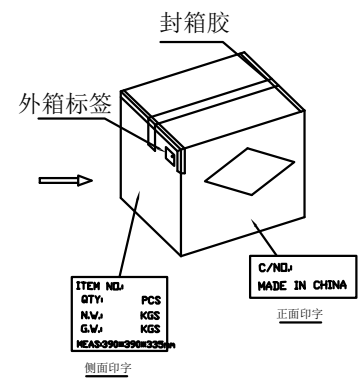
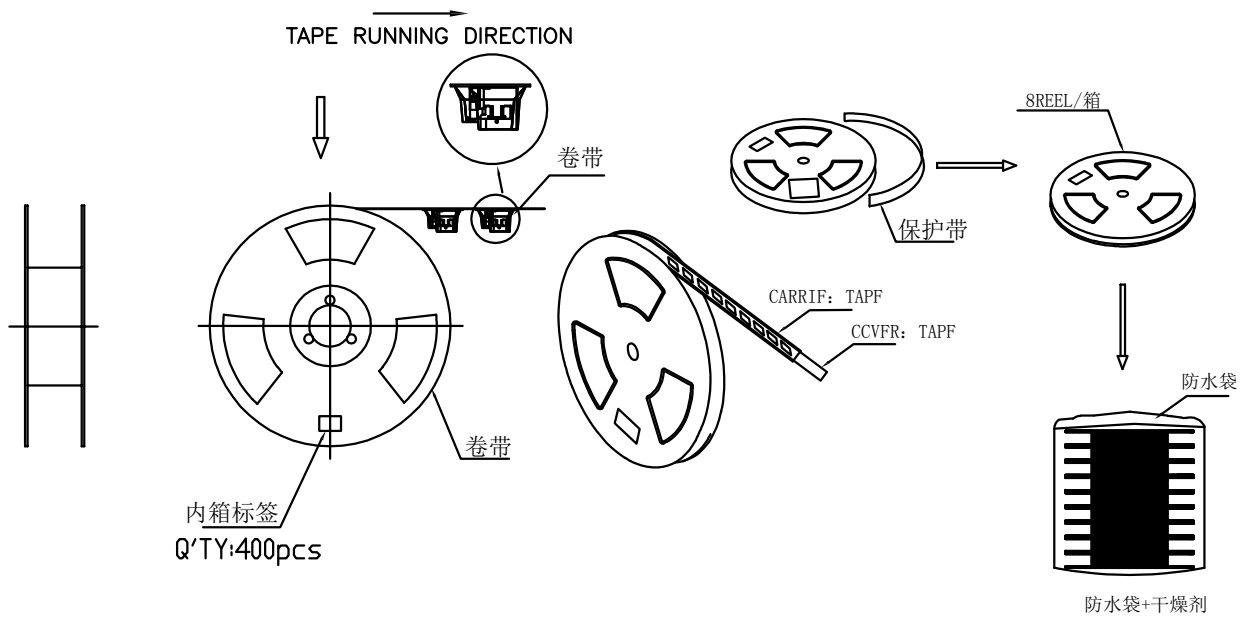


USER DIRECTION OF FEED

1. 包装数量: 3200PCS箱/8卷, 400PCS/卷
2. 纸箱封盖后以封箱胶封箱(工字型)侧面贴上出货标签.
3. 外箱规格: 390*390*305mm
卷盘规格: $\phi 330 \times 37.5$ mm



TOLERANCE UNLESS OTHERWISE SPECIFIED
 .XX ±0.15
 .X ±0.30
 X ±0.50
 .X* ±3*

| | | |
|------|------------------------------|---|
| 产品名称 | RJ45 沉板 8.60 SMT全包 | |
| | PART NAME: R5D0-11400-GX1031 | |
| 图号 | B-1105 | P |

| | | | | | | | |
|------|-------------|--------|----------|------|-------------|------------------------|--------------------|
| REV: | DESCRIPTION | REV BY | APPROVED | DATE | MATL: | SEE SPECIFICATION | APPROVED |
| A | NEW | ZFY | | | PROJECTION: | THIRD ANGLE PROJECTION | CHECKED |
| | | | | | UNIT: mm | SCALE: 1:1 | REV(NO): A |
| | | | | | | SHEET: 1 OF 1 | DRAWN: weihong |
| | | | | | | | DATE: 2022. 04. 28 |

HLW 深圳市华联威电子科技有限公司
 HUA LIAN WEI TECHNOLOGY ELECTRONICS CO.;LTD.