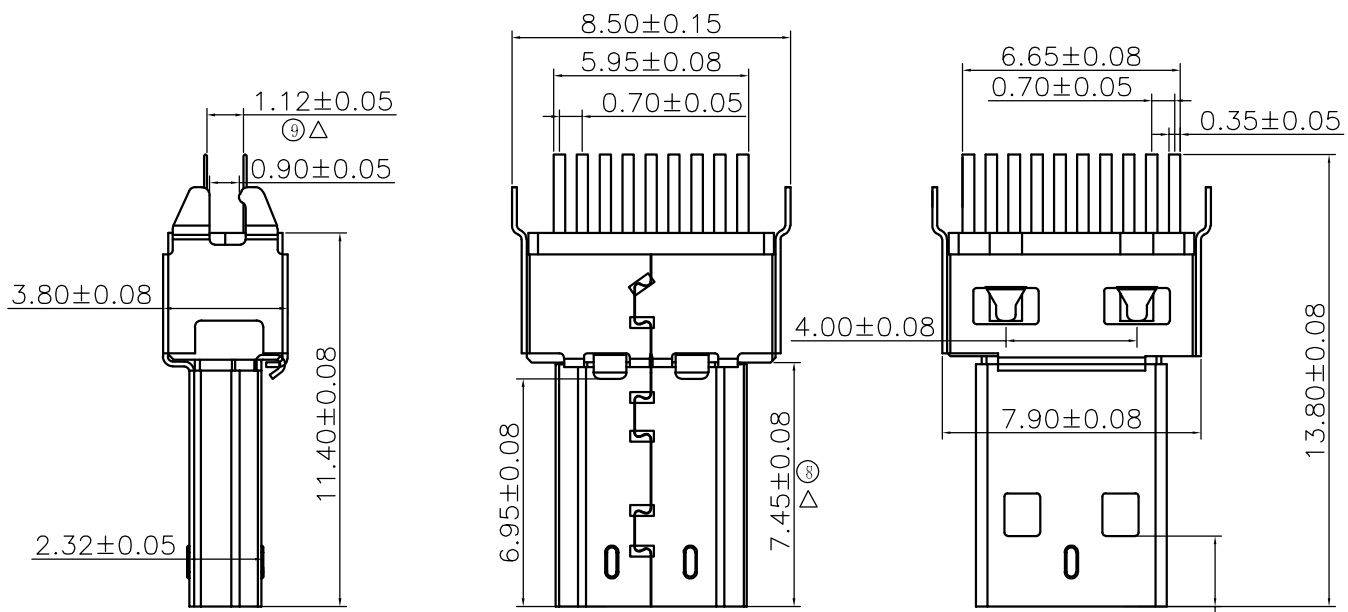


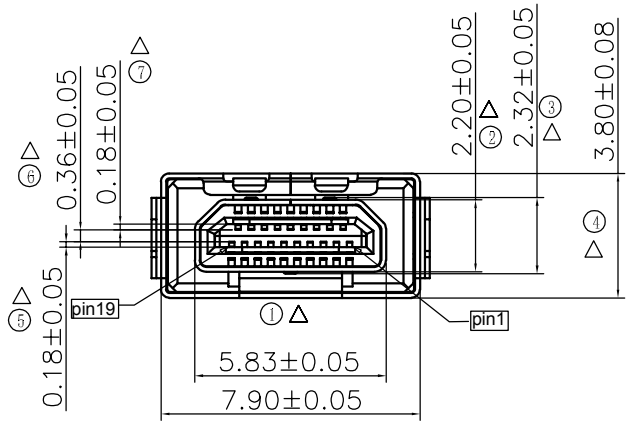
REV.	ECN.NO.	APPD.
A	/	/

- NOTES:
- MATERIAL:
 - Housing:thermoplastic plastics
 - terminals:Copper Alloy
Gold plated in contact area:
Tin plated in termination
Nickel Plated overall
 - Shell:Steel&Copper Alloy
Nickel/Au Plated overall
 - ELECTRICAL CHARACTERISTICS:
 - Rating Current :0.5 Ampere
 - Rating Voltage :40 V Max
 - Contact Resistance:30 Milli ohms
 - Insulation Resistance:100 Mega ohms Min.
 - MECHANICAL CHARACTERISTICS:
 - Connector Mating force: 4.5kg MAX
 - Connector Unmating force:1.0Kg min
 - Durability:10000Cycles.
 - ENVIRONMENT CHARACTERISTICS:
 - Operating temperature:-20℃ to +85℃
 - Storage temperature:-20℃ to +65℃



HD27-1045-G61018

- 5:铜壳镀镍
- G:半金G/Fu
- 1:吸塑盒
- 1:黑色
- 6:LCP



TOLERANCE UNLESS OTHERWISE SPECIFIED		FLW 深圳市华联威电子科技有限公司						
.XXX ±0.15	Ang. 2'	HUA LIAN WEI TECHNOLOGY ELECTRONICS CO;LTD.						
.XX ±0.20		APPROVED	PART NAME:	HDMI D TYPE 19/F夹板式				
.X ±0.30		CHECKED	PART No:	HD27-1045-G61018	C			
DATE	2023.03.27	DRAWN	chenyiting	PROJECTION:	UNIT:	SCALE	SHEET	REV.
					mm	1:1	10F1	A