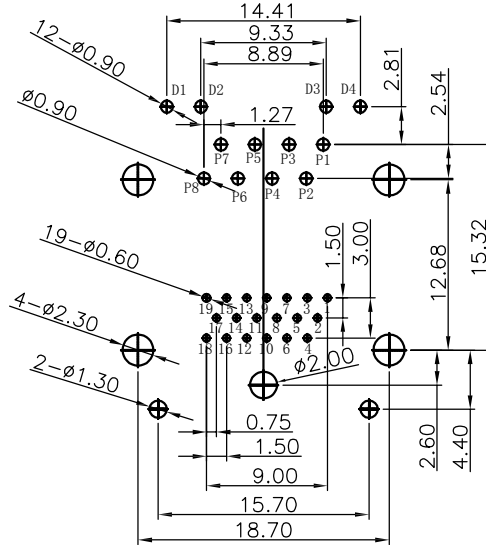
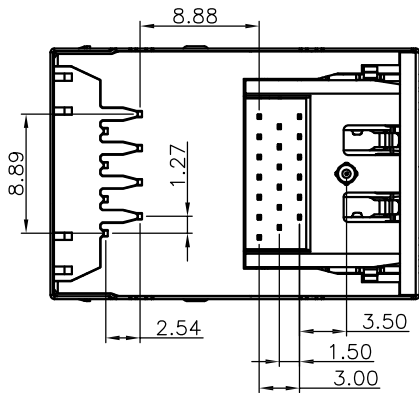
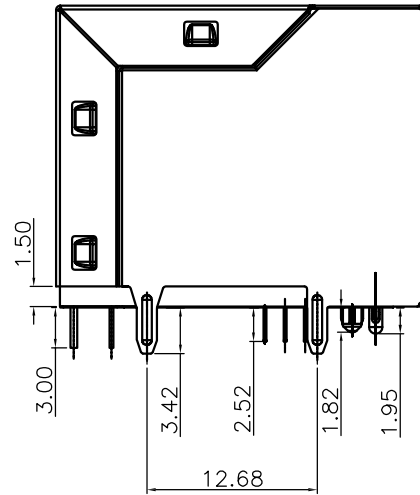
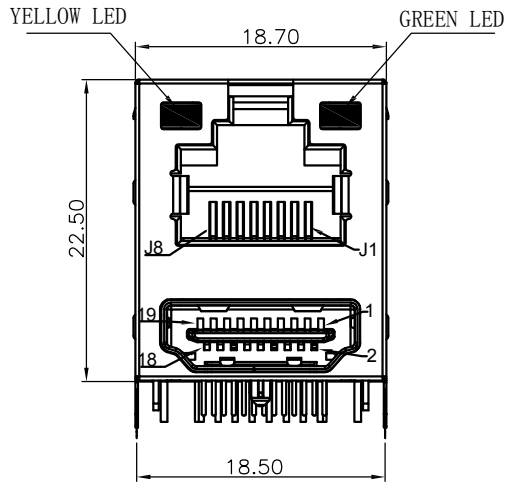


REV.	ECN.NO.	APPD.
A	/	/



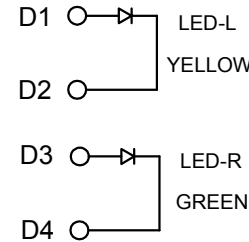
RECOMMENDED P.C.B LAYOUT
TOP VIEW (COMPONENT SIDE)

NOTES:

- 1.MATERIAL:
 - 1.1 Housing:thermoplastic plastics
 - 1.2 terminals:Copper Alloy
Gold plated in contact area:
OR Gold Plated overall
 - 1.3 Shell:Steel&Copper Alloy
Nickel/Tin Plated overall
- 2.ELECTRICAL CHARACTERISTICS:
 - 2.1 Rating Current :1.5 Ampere
 - 2.2 Rating Voltage :125 V Max
 - 2.3 Contact Resistance:50 Milli ohms
 - 2.4 Insulation Resistance:500 Mega ohms Min.
- 3.MECHANICAL CHARACTERISTICS:
 - 3.1 Connector Mating force: 2.27kgf MAX
 - 3.2 Durability:750Cycles.
- 4.ENVIRONMENT CHARACTERISTICS:
 - 4.1 Operating temperature:-40°C to +85°C
 - 4.2 Storage temperature:-10°C to +40°C

R570-32760-161018

1:1u" Au
6:PBT+LCP
1:吸塑盒
1:黑色



TOLERANCE UNLESS OTHERWISE SPECIFIED		FLW 深圳市华联威电子科技有限公司				
.XXX ±0.10 .XX ±0.20 .X ±0.30		HUA LIAN WEI TECHNOLOGY ELECTRONICS CO.;LTD.				
.X' ±3' .XX' ±2'		PART NAME:		RJ45带灯无弹+HDMI		
APPROVED		PART No:		R570-32760-161018		C
CHECKED		PROJECTION:	UNIT:	SCALE:	SHEET:	REV.
DRAWN	chenyiting		mm	1:1	10F1	A
DATE	2023.06.02					