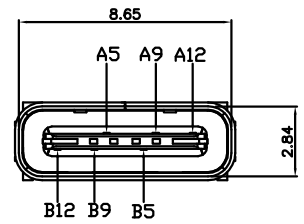


REV.	ECN.NO.	APPD.
A	/	ZFY



B12	GND
B9	VBUS
B5	CC2
A5	CC1
A9	VBUS
A12	GND
PIN	SIGNAL NAME

NOTES:

1.MATERIAL:
MOLDING: LCP UL94 V-0
CONTACT: COPPER ALLOY.
GOLD PLATED Min ON CONTACT AREA, 100u"
Min TIN (LEAD FREE) ON SOLDER AREA,
SHELL: SUS201-H, T=0.30±0.03mm
50u" NICKEL PLATING OVER ALL.

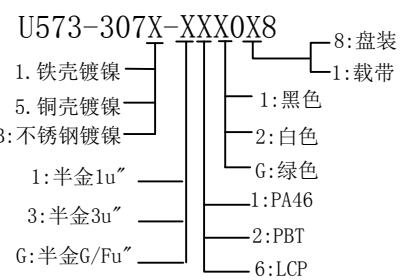
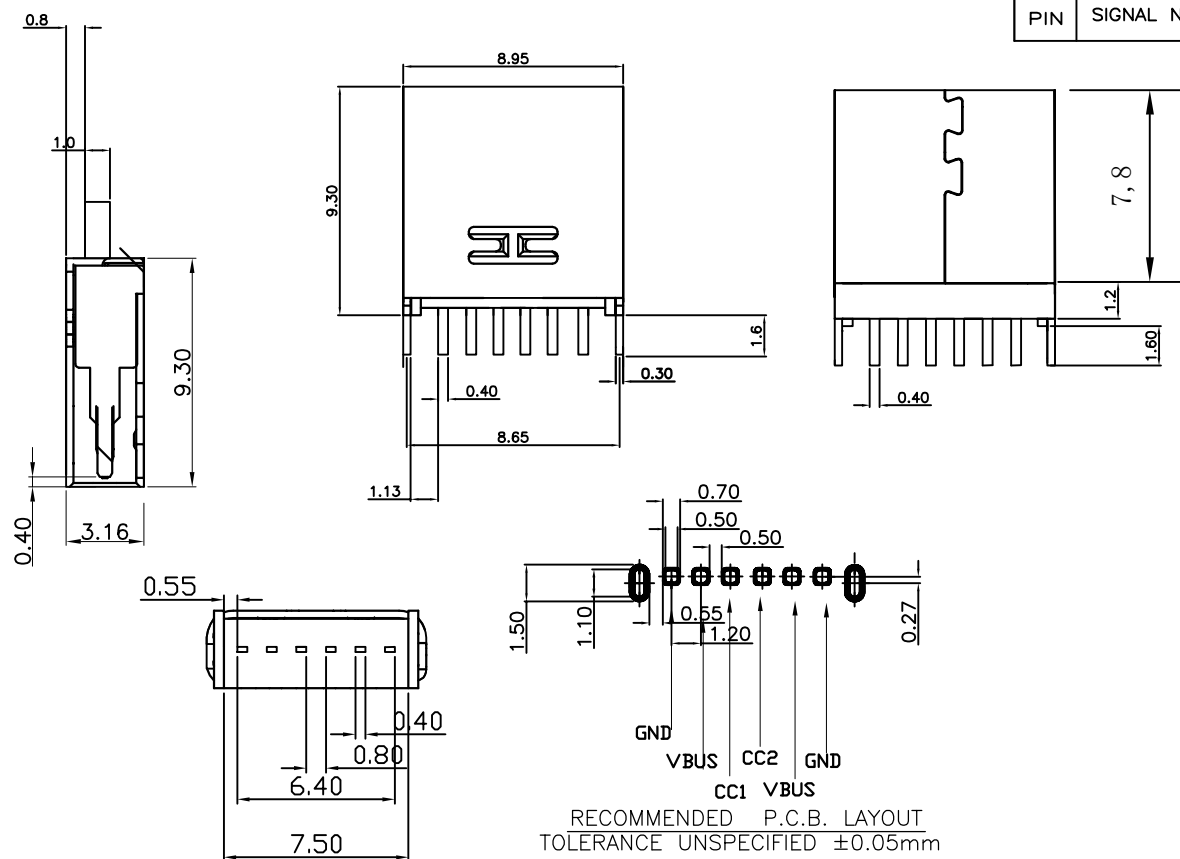
2.MECHANICAL:
INSERTION: 5~20N.
EXTRACTION: 8~20N AFTER TEST.
DURABILITY: 5000 CYCLES

3.ELECTRICAL:
CURRENT: 3A FOR VBUS;
1.25A FOR GND PIN.
0.25A FOR OTHER.
VOLTAGE: 20 V MAX
WITHSTANDING VOLTAGE: 100V AC R.M.S.
CONTACT RESISTANCE: 40mΩ MAX.
INSULATION RESISTANCE: 100MΩ MIN.

4.ENVIRONMENTAL
TEMPERATURE RANGE -25°C ~ +85°C

5. 尺寸标注事项:
图示有标⊗ "者为首样全检, 重点管控尺寸.

6. 产品符合RoHS标准



TOLERANCE UNLESS OTHERWISE SPECIFIED		FLW 深圳市华联威电子科技有限公司			
.XXX ±0.15 .XX ±0.20 .X ±0.30		.X' ±5' .XX' ±2'		HUA LIAN WEI TECHNOLOGY ELECTRONICS CO;LTD.	
APPROVED		PART NAME:	TYPE-C 6P立插 9.3		
CHECKED		PART No:	U573-307X-XXX0X8	C	
DRAWN	ZhangFenYan	PROJECTION:	UNIT:	SCALE:	SHEET
DATE	2018.10.10		mm	1:1	10F1
					REV. A