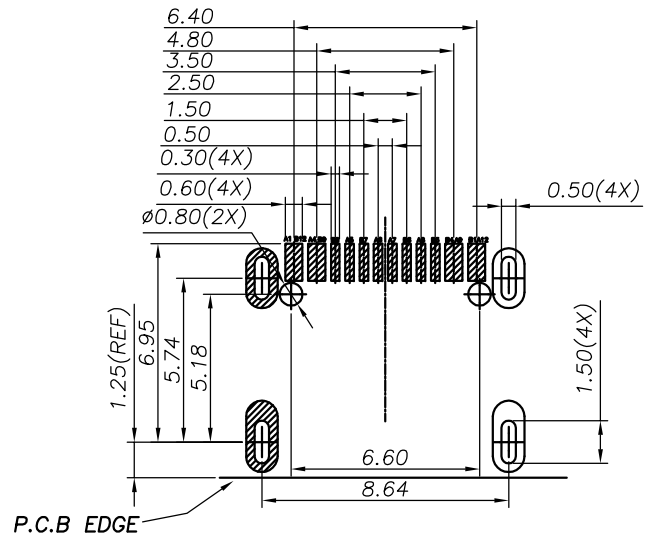
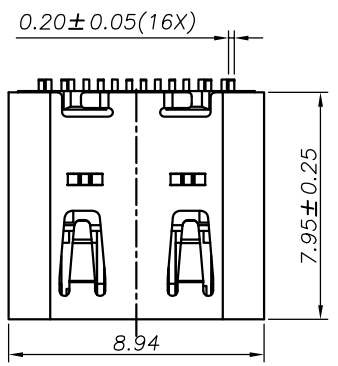


| | | |
|------|---------|------------|
| REV. | ECN.NO. | APPD. |
| A | / | chenyiting |

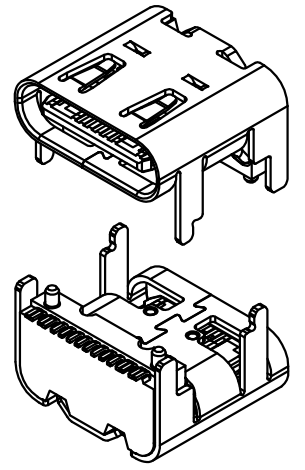
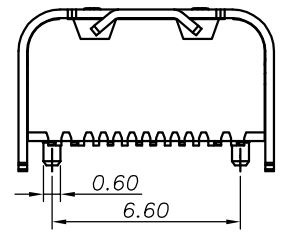
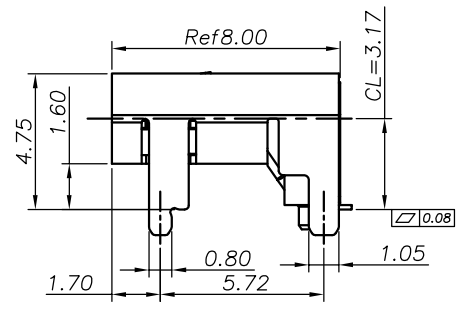
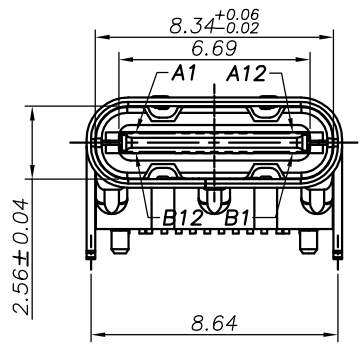
- NOTES:
- MATERIAL:
 - Housing:thermoplastic plastics
 - terminals:Copper Alloy
Gold plated in contact area:
Tin plated in termination
Nickel Plated overall
 - Shell:Steel&Copper Alloy
Nickel/Au Plated overall
 - characteristics:
 - Rating Voltage : 30V AC.
 - Rating Current:
5A for Vbus PIN;1.25A for Vconn PIN
 - Contact Resistance:40 mΩ MAX.
 - Insulation Resistance:100 MΩ MIN.
 - Withstanding Voltage:AC 100V
 - Mating force: 5~20N MAX
 - Extraction force:8~20N Min
 - Life test:10000Cycles MIN.
 - Temperature Range: -30℃~+80℃.
- The product must be compliance ROHS

U572-A91B-G61038

B: 不锈钢镀镍
G: 半金G/Fu
6: LCP
3: 载带
1: 黑色

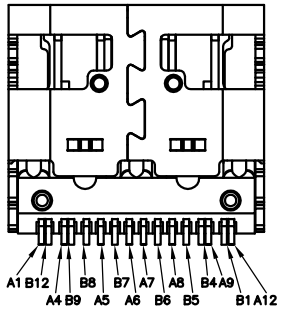


RECOMMENDED PCB LAYOUT(TOP VIEW)
THICKNESS 0.80MM;DEFAULT TOLERANCE:±0.05



USB TYPE-C PIN ASSIGNMENTS

| PIN NUMBER | SIGNAL NAME | PIN NUMBER | SIGNAL NAME |
|------------|-------------|------------|-------------|
| A1 | GND | B12 | GND |
| A4 | VBUS | B9 | VBUS |
| A5 | CC1 | B8 | SBU2 |
| A6 | Dp1 | B7 | Dn2 |
| A7 | Dn1 | B6 | Dp2 |
| A8 | SBU1 | B5 | CC2 |
| A9 | VBUS | B4 | VBUS |
| A12 | GND | B1 | GND |



| | | | | | |
|--------------------------------------|------------|---|-----------------------------|-------|--------|
| TOLERANCE UNLESS OTHERWISE SPECIFIED | | FLW 深圳市华联威电子科技有限公司 | | | |
| .XXX ±0.10 .XX ±0.20 .X ±0.30 | | HUA LIAN WEI TECHNOLOGY ELECTRONICS CO;LTD. | | | |
| APPROVED | | PART NAME: | TYPE C 16P 短体8.0 垫高4.5 三次模顶 | | |
| CHECKED | | PART No: | U572-A91B-G61038 | C | |
| DRAWN | chenyiting | PROJECTION: | UNIT: | SCALE | SHEET |
| DATE | 2023.04.04 | | mm | 1:1 | 1 OF 1 |
| | | | | | REV. A |