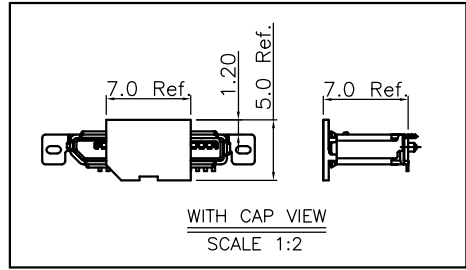
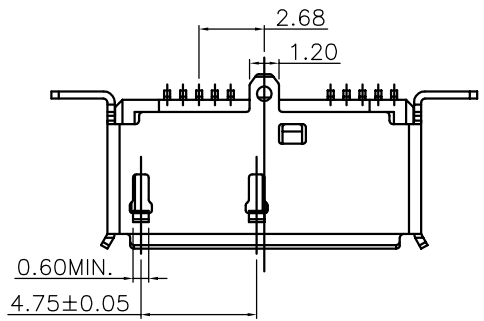
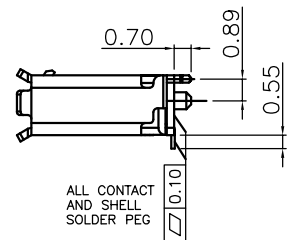
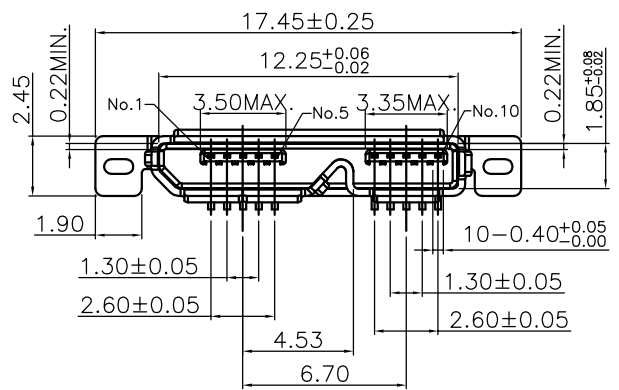


REV.	ECN.NO.	APPD.
A	EXXXXXXXXXX	chenyiting



- NOTES:
- MATERIAL:
 - Housing: thermoplastic plastics,
 - terminals:Copper Alloy
Gold plated overall
 - Shell:Steel&Copper Alloy
Nickel/Tin Plated overall
 - ELECTRICAL CHARACTERISTICS:
 - Rating Current :1.5 Ampere
 - Rating Voltage :30 V Max
 - Contact Resistance:50 Milli ohms
 - Insulation Resistance:100 Mega ohms Min.
 - MECHANICAL CHARACTERISTICS:
 - Connector Mating force: 35N MAX
 - Connector Unmating force:7N min
 - ENVIRONMENT CHARACTERISTICS:
 - Operating temperature:-0°C to +50°C
 - Storage temperature:-20°C to +60°C



U423-012B-161038

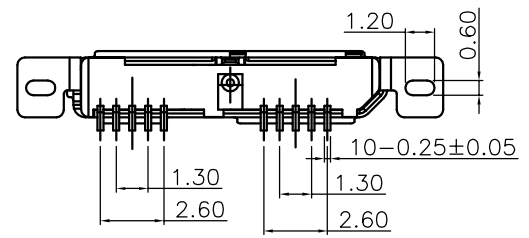
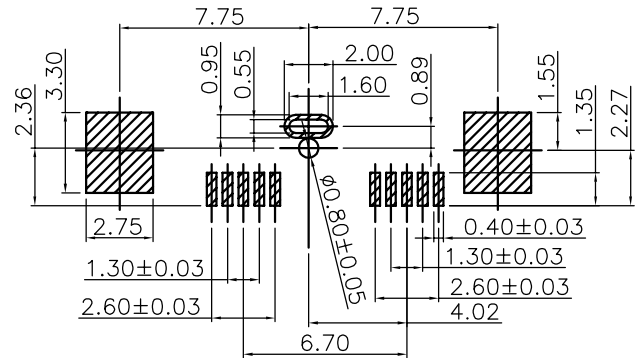
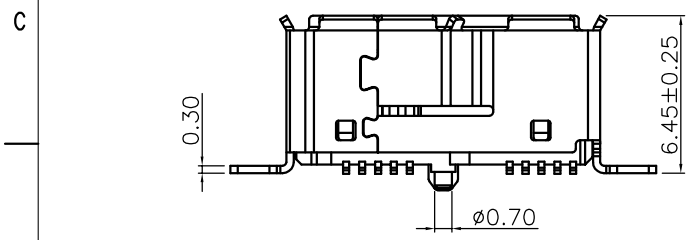
B: 不锈钢壳镀镍

1:1u" Au

3:载带

1:黑色

6:LCP



TOLERANCE UNLESS OTHERWISE SPECIFIED		深圳市华联威电子科技有限公司			
.XXX ±0.10		HUA LIAN WEI TECHNOLOGY ELECTRONICS CO;LTD.			
.XX ±0.20		PART NAME: MICRO 3.0 180度 直立式 端子贴片 短体 H=6.5 圆形柱子			
.X ±0.30		PART No: U423-012B-161038		C	
APPROVED		DRAWN	chenyiting	PROJECTION:	
CHECKED		DATE	2023.06.06	UNIT:	mm
				SCALE:	1:1
				SHEET:	10F1
				REV.:	A